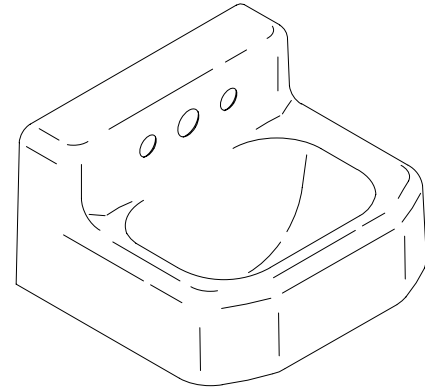


WALL-MOUNT LAVATORY

K-2485

FEATURES

- 16" x 14"
- Cast iron
- Wall-mount
- Less K-7485 faucet (recommended)
- With overflow



CODES/STANDARDS APPLICABLE

Specified model meets or exceeds the following:

- ASME/ANSI A112.19.2M
- IAPMO/UPC
- Canadian Standards Association (CSA)
- State of Massachusetts

COLORS/FINISHES

- 0 White

Accessories:

- CP Polished Chrome

SPECIFIED MODEL:

Model	Description	Colors/Finishes
K-2485	Wall-mount lavatory less faucet	<input type="checkbox"/> 0 White

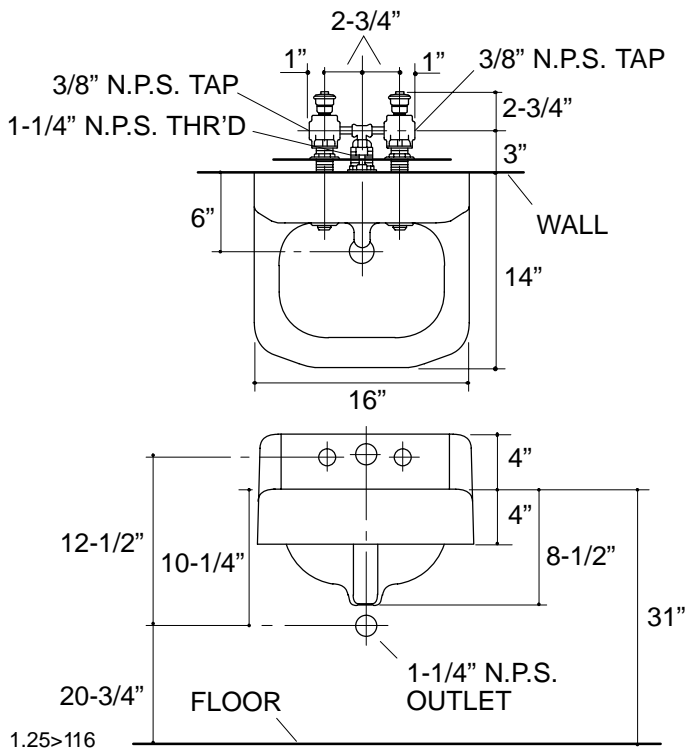
Recommended Accessories		
K-7485	Faucet	<input type="checkbox"/> CP
K-2480-A	Support bolt (if required) for use with "cold water supply" only	<input type="checkbox"/> CP

PRODUCT SPECIFICATION:

The wall-mount lavatory shall be 16" in length, and 14" in width. Lavatory shall be made of cast iron. Lavatory shall be less K-7485 faucet (recommended). Lavatory shall have overflow. Lavatory shall be Kohler Model K-2485-_____.

PRODUCT INFORMATION

Fixture*:		basin area	water depth
Lavatory		12" x 9"	5"
Outlet	1-11/16" D.		
* Approximate measurements for comparison only.			
Holes	K-2485		
Spout	1-1/2" D.		
Faucet	1-3/16" D.		
Included Components:			
Overflow ferrule (1)			44071



Roughing-In Notes

Supply fitting regularly furnished for wall not to exceed 1" thick. For thicker wall add 1" to supply measurement for every inch or fraction of additional wall thickness.

Stop valves should be provided in supply lines.

Required accessories/hardware are shown.

PRODUCT DIAGRAM