

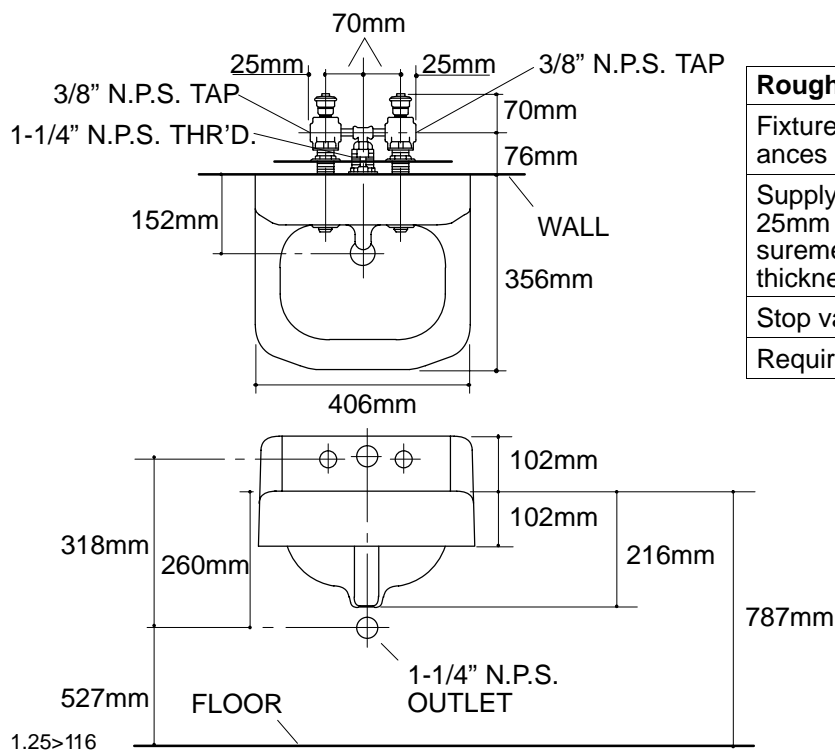
Ordering Information

Accessories/hardware:		
Supply faucet	K-7485	required*
*Required for configuration illustrated.		

Product Information

Fixture*:		basin area	water depth
Lavatory		305 x 229mm	127mm
Outlet	Ø43mm		
Faucet holes	Ø30mm		
Spout hole	Ø38mm		
* Approximate measurements for comparison only.			

Included Components:	
Overflow ferrule (1)	44071



Roughing-In Notes

- Fixture dimensions are nominal and conform to tolerances in ASME/ANSI Standard A112.19.1M.
- Supply fitting regularly furnished for wall not to exceed 25mm thick. For thicker wall add 25mm to supply measurement for every inch or fraction of additional wall thickness.
- Stop valves should be provided in supply lines.
- Required accessories/hardware are shown.