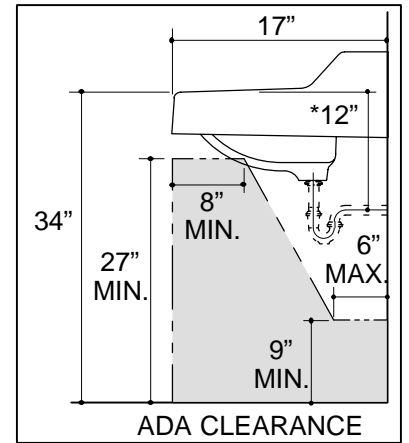
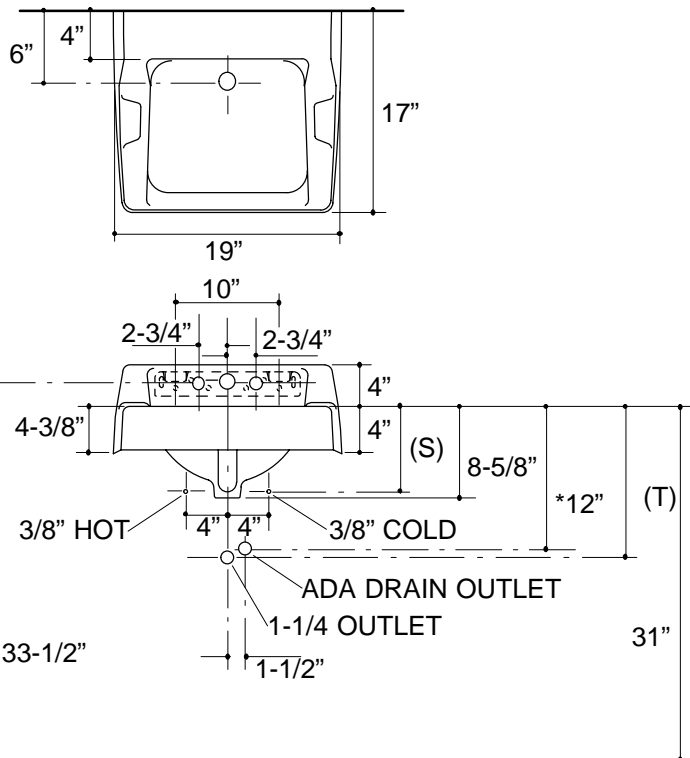


Ordering Information

Applicable lavatory:		
With faucet	K-2705	shown
Without faucet	K-2705-EH	not shown
Accessories/hardware:		
Trap	K-8998	recommended

Product Information

ADA compliant when installed with lever handle faucet.			
Fixture*:		basin area	water depth
Lavatory		14" x 13"	5-1/8"
Outlet	1-11/16" D.		
* Approximate measurements for comparison only.			
Holes	K-2705		
Spout	1-1/2" D.		
Faucet	1-3/16" D.		
Included Components:			
Hanger (1)		64503	
Overflow ferrule (1)		44071	



116

Roughing-In Notes

Fixture dimensions are nominal and conform to tolerances in ASME/ANSI Standard A112.19.1M.

*Based on K-8998, with 1" tailpiece exposed.

(T) Pop-up drain 14-1/4", grid drain 13-3/8".

(S) 8" (Based on 12" riser which may require cutting).