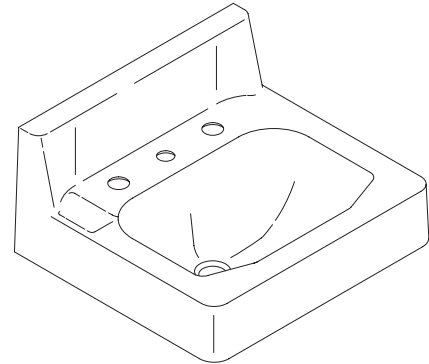


WALL-MOUNT LAVATORY

K-2805, K-2861, K-2863

ADA



FEATURES

- 19" x 17"
- Cast iron
- Wall-mount
- 8" centers (K-2863), 4" centers (K-2861), or single-hole (K-2805) drilling
- With overflow
- ADA compliant
- Optional soap dispenser hole on left (-L) or right (-R)
- Optional thru bolt holes (-B)

CODES/STANDARDS APPLICABLE

Specified model meets or exceeds the following:

- ADA
- ASME/ANSI A112.19.2M
- CABO/ANSI A117.1
- IAPMO/UPC
- Canadian Standards Association (CSA)
- State of Massachusetts

HOLE OPTIONS

- L Soap dispenser hole on left
- R Soap dispenser hole on right
- B Thru bolt holes

COLORS/FINISHES

- 0 White
- Other Refer to Fixtures Price Book for additional colors

Accessories:

- CP Polished Chrome
- Other Refer to Faucets Price Book for additional finishes

SPECIFIED MODEL:

| Model | Description | Hole Options | | | Colors | |
|--------|----------------------|--------------------------|--------------------------|--------------------------|--------------------------|--------------------------|
| | | -L | -R | -B | 0 White | Other |
| K-2805 | Single-hole lavatory | <input type="checkbox"/> | <input type="checkbox"/> | <input type="checkbox"/> | <input type="checkbox"/> | <input type="checkbox"/> |
| K-2861 | 4" centers lavatory | <input type="checkbox"/> | <input type="checkbox"/> | <input type="checkbox"/> | <input type="checkbox"/> | <input type="checkbox"/> |
| K-2863 | 8" centers lavatory | <input type="checkbox"/> | <input type="checkbox"/> | <input type="checkbox"/> | <input type="checkbox"/> | <input type="checkbox"/> |

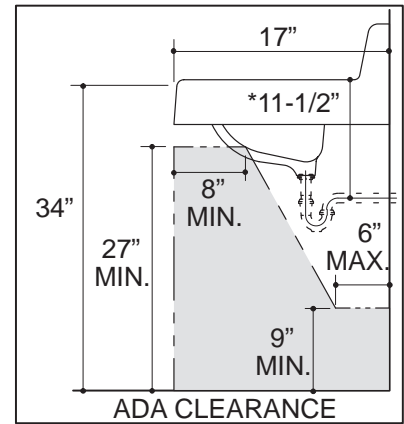
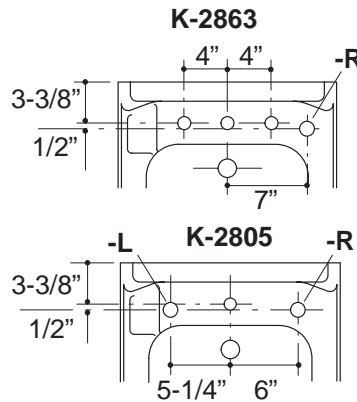
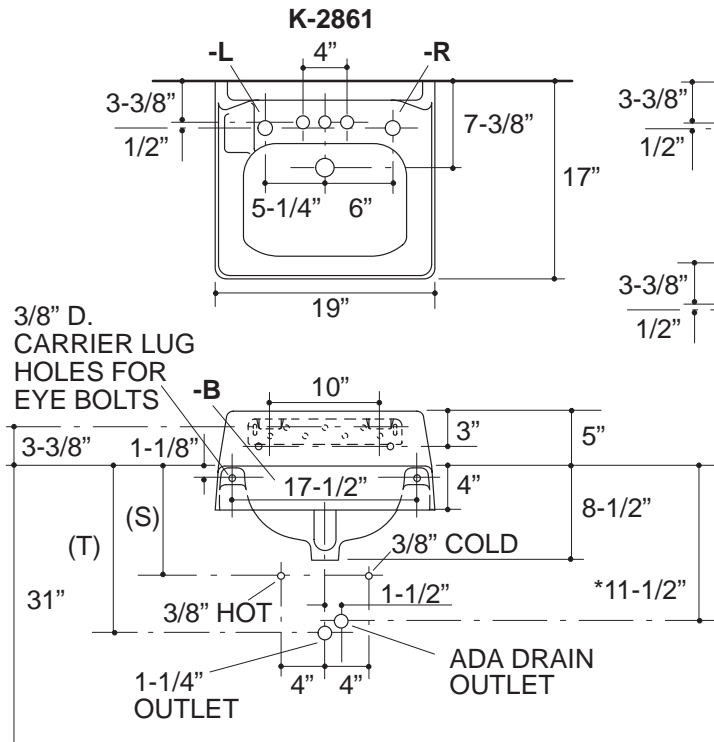
| Recommended Accessories | |
|-------------------------|--|
| K-8998 | Trap <input type="checkbox"/> CP <input type="checkbox"/> Other_____ |

PRODUCT SPECIFICATION:

The wall-mount lavatory with back, shall be 19" in length, and 17" in width. Lavatory shall be made of cast iron. Lavatory shall have 8" centers (K-2863), 4" centers (K-2861), or single-hole (K-2805) drilling. Lavatory shall have overflow. Lavatory shall be ADA compliant. Lavatory shall have soap dispenser hole on left (-L) or right (-R). Lavatory shall have thru bolt holes (-B). Lavatory shall be Kohler Model K-_____ - _____ - _____.

PRODUCT INFORMATION

| | | | |
|---|---------------|---------------|---------------|
| ADA compliant. | | | |
| Fixture*: | | basin area | water depth |
| Lavatory | | 15" x 10" | 5" |
| Outlet | 1-11/16" D. | | |
| * Approximate measurements for comparison only. | | | |
| Holes | K-2863 | K-2861 | K-2805 |
| Spout | 1-1/8" D. | 1-1/8" D. | 1-3/8" D. |
| Faucet | 1-5/16" D. | 1-3/16" D. | |
| Soap dispenser | | | 1-1/4" D. |
| Included Components: | | | |
| Hanger | 64503 | | |



Roughing-In Notes

*Based on K-8998, with 1" tailpiece exposed.

(T) Pop-up drain 14-1/8", grid drain 13-1/4".

Supply (Based on 12" riser which may require cutting).

K-2861
K-2805

K-2863

.95<116

PRODUCT DIAGRAM