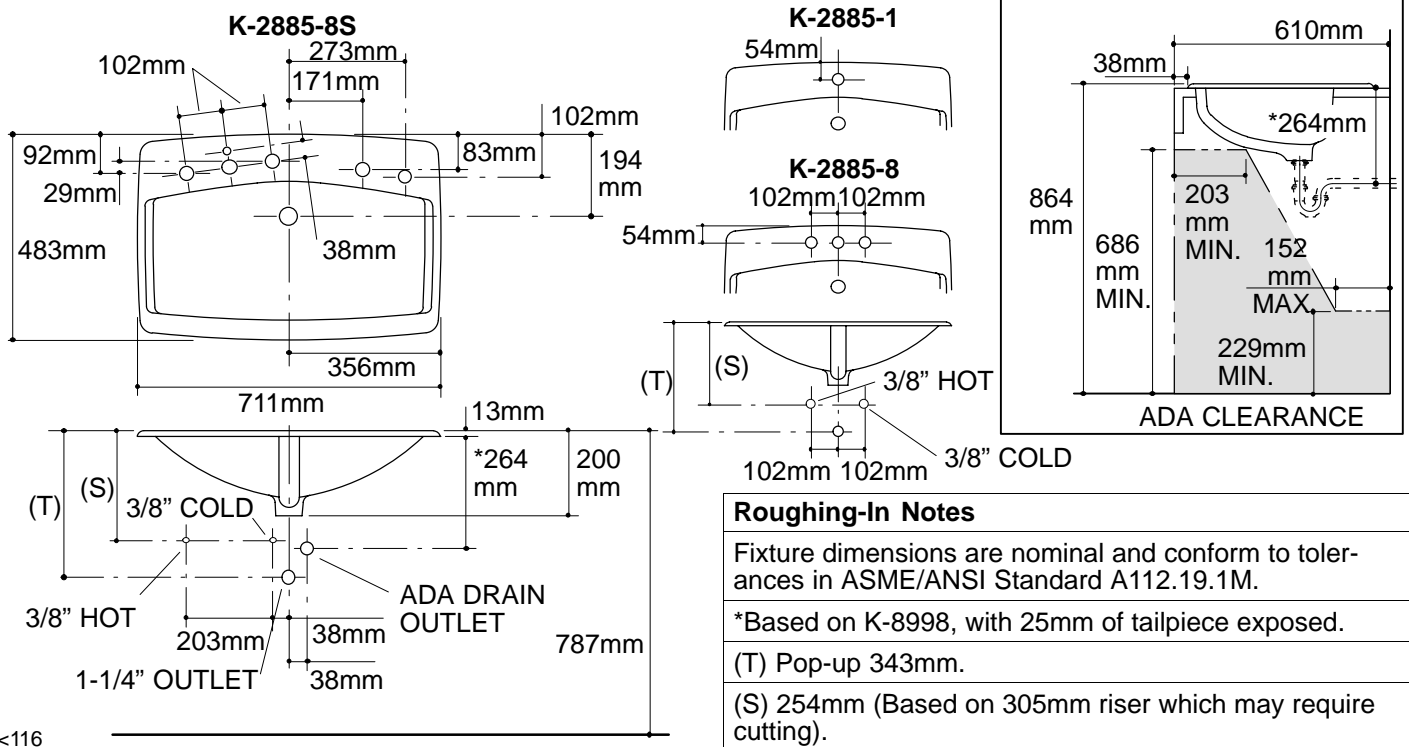


Ordering Information

Applicable product:		
203mm centers lavatory	K-2885-8S	shown
Single-hole lavatory	K-2885-1	not shown
203mm centers centered lavatory	K-2885-8	not shown
Accessories/hardware:		
Alterna faucet	K-6962-2	required
Trap	K-8998	recommended

Product Information

ADA compliant.			
Fixture*:		basin area	water depth
Lavatory		610 x 330mm	108mm
Outlet	Ø43mm		
* Approximate measurements for comparison only.			
Holes	K-2885-8S	K-2885-1	K-2885-8
Spout	Ø35mm	Ø35mm	Ø35mm
Faucet	Ø33mm		Ø33mm
Lift rod	Ø19mm		
Spray	Ø32mm		
Liquid dispenser	Ø32mm		
Included Components:			
Overflow ferrule			44071
Cutout template			101090



.9<116

Roughing-In Notes

Fixture dimensions are nominal and conform to tolerances in ASME/ANSI Standard A112.19.1M.

*Based on K-8998, with 25mm of tailpiece exposed.

(T) Pop-up 343mm.

(S) 254mm (Based on 305mm riser which may require cutting).