

Ordering Information

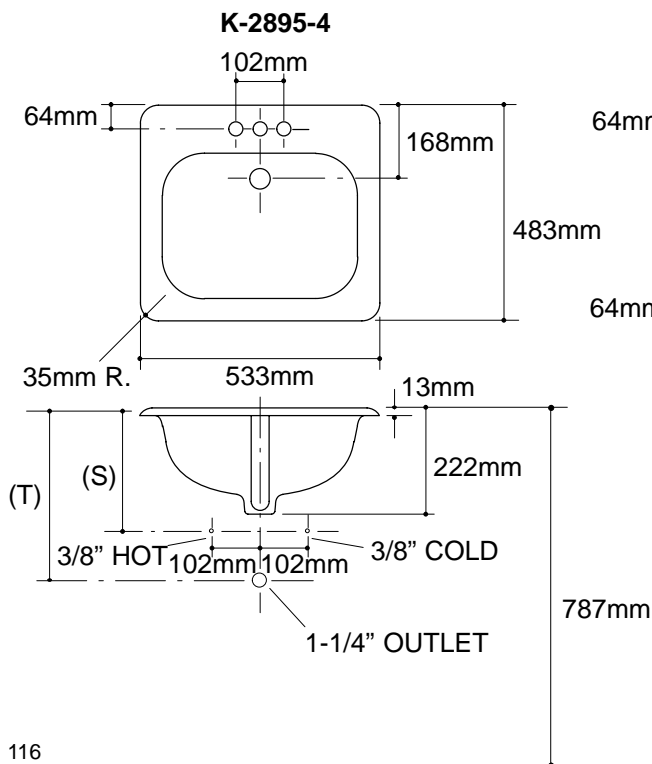
Applicable product:		
102mm centers lavatory	K-2895-4	shown
203mm centers lavatory	K-2895-8	not shown
Single-hole lavatory	K-2895-1	not shown
Accessories/hardware		
P-Trap	K-8998	optional

Product Information

Fixture*:		basin area	water depth
Lavatory		406 x 305mm	127mm
Outlet	Ø43mm		
* Approximate measurements for comparison only.			

Holes	K-2895-4	K-2895-8	K-2895-1
Spout	Ø29mm	Ø29mm	Ø35mm
Faucet	Ø30mm	Ø33mm	

Included Components:	
Overflow ferrule (1)	44071
Cutout template	116586-7



Roughing-In Notes		
Fixture dimensions are nominal and conform to tolerances in ASME/ANSI Standard A112.19.1M.		
Cutout	502 x 451mm with 25mm radius corners.	
(T)	Pop-up drain 360mm, grid drain 338mm.	
Supply (Based on 305mm riser which may require cutting).	K-2895-4 K-2895-1	K-2895-8
(S)	254mm	356mm