

Ordering Information

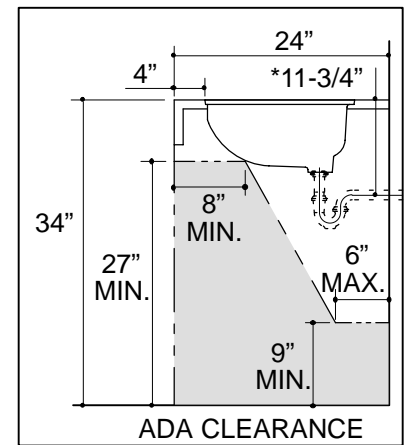
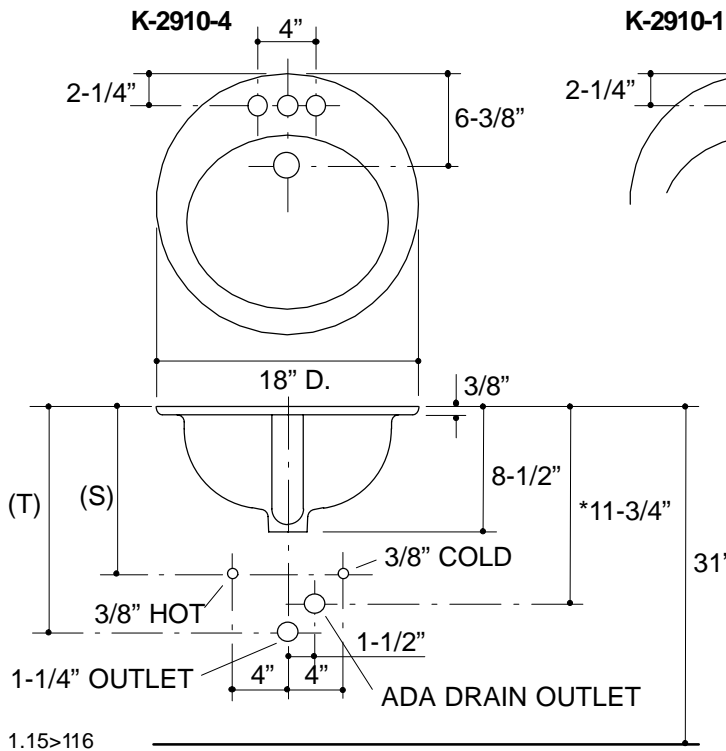
Applicable product:		
4" centers lavatory	K-2910-4	shown
Single-hole lavatory	K-2910-1	not shown
Accessories/hardware:		
Metal frame	K-6687	required
Trap	K-8998	recommended

Product Information

ADA compliant.			
Fixture*:		basin area	water depth
Lavatory		14" x 12"	5"
Outlet	1-11/16" D.		
* Approximate measurements for comparison only.			
Holes	K-2910-4	K-2910-1	
Spout	1-1/8" D.	1-3/8" D.	
Faucet	1-3/16" D.		
Included Components:			
Overflow ferrule		44071	

Installation Notes

Refer to installation instructions included with fixture before beginning installation.



Roughing-In Notes	
Fixture dimensions are nominal and conform to tolerances in ASME Standard A112.19.2M.	
*Based on K-8998, with 1" tailpiece exposed.	
(T) Pop-up drain 14-1/8", grid drain 13-1/4".	
(S) 10" (Based on 12" riser which may require cutting).	
Cutout	metal frame required