

### Ordering Information

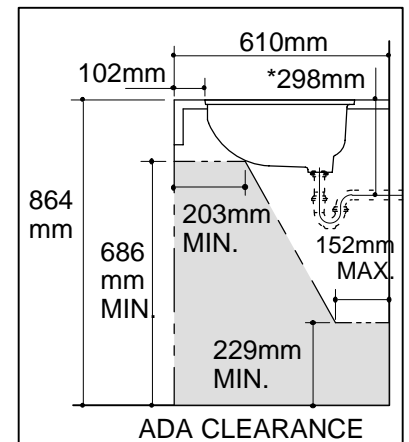
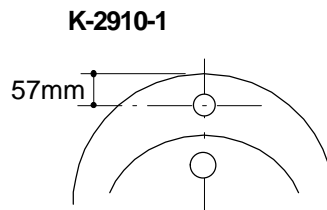
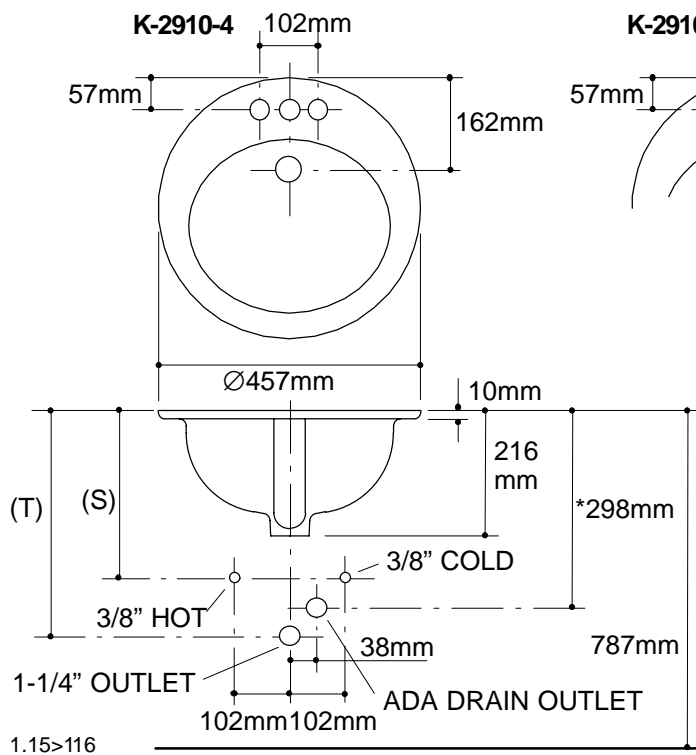
Applicable product:		
102mm centers lavatory	K-2910-4	shown
Single-hole lavatory	K-2910-1	not shown
Accessories/hardware:		
Metal frame	K-6687	required
Trap	K-8998	recommended

### Product Information

ADA compliant.			
Fixture*:		basin area	water depth
Lavatory		356 x 305mm	127mm
Outlet	Ø43mm		
* Approximate measurements for comparison only.			
Holes	<b>K-2910-4</b>	<b>K-2910-1</b>	
Spout	Ø30mm	Ø35mm	
Faucet	Ø35mm		
Included Components:			
Overflow ferrule			44071

### Installation Notes

Refer to installation instructions included with fixture before beginning installation.



### Roughing-In Notes

Fixture dimensions are nominal and conform to tolerances in ASME Standard A112.19.2M.

\*Based on K-8998, with 25mm tailpiece exposed.

(T) Pop-up drain 359mm, grid drain 337mm.

(S) 254mm (Based on 305mm riser which may require cutting).

Cutout	metal frame required
--------	----------------------