

Ordering Information

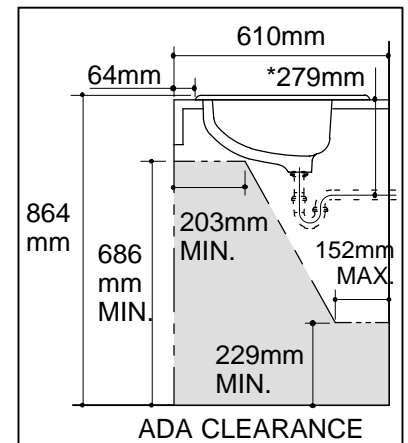
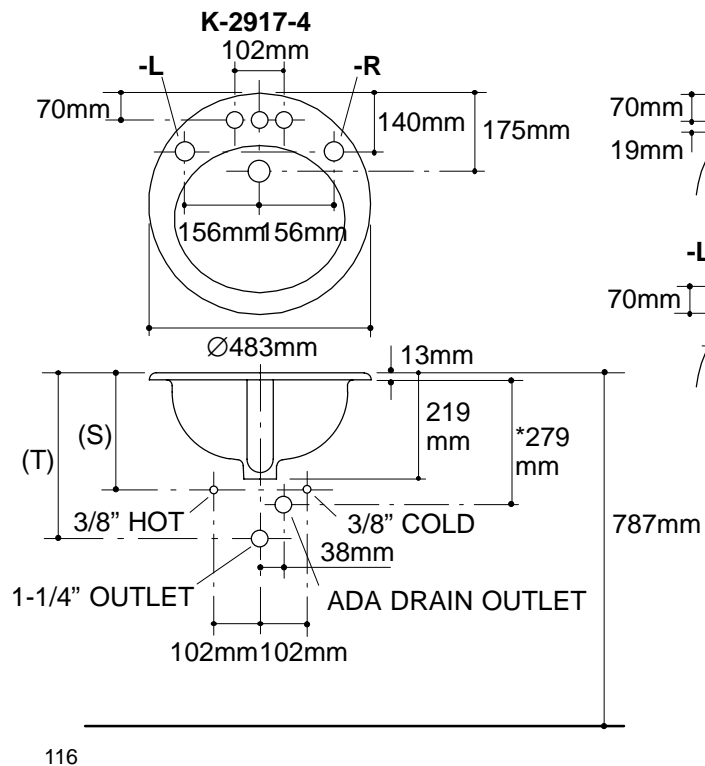
Applicable product:		
102mm centers lavatory	K-2917-4	shown
soap dispenser on left	K-2917-4L	
soap dispenser on right	K-2917-4R	
203mm centers lavatory	K-2917-8	not shown
Single-hole lavatory	K-2917-1	not shown
soap dispenser on left	K-2917-1L	
soap dispenser on right	K-2917-1R	
Accessories/hardware:		
Trap	K-8998	optional

Product Information

ADA compliant.			
Fixture*:		basin area	water depth
Lavatory		356 x 305mm	127mm
Outlet	Ø43mm		
* Approximate measurements for comparison only.			
Holes	K-2917-8	K-2917-4	K-2917-1
Spout	Ø30mm	Ø30mm	Ø35mm
Faucet	Ø33mm	Ø30mm	
Soap dispenser			Ø38mm
Included Components:			
Overflow ferrule			44071
Cutout template			101082

Installation Notes

Refer to installation instructions included with fixture before beginning installation.



Roughing-In Notes

Fixture dimensions are nominal and conform to tolerances in ASME Standard A112.19.2M.

*Based on K-8998, with 25mm tailpiece exposed.

(T) Pop-up drain 360mm, grid drain 338mm.

Supply (Based on 12" riser which may require cutting).	K-2917-4 K-2917-1	K-2917-8
--	----------------------	----------

(S)	254mm	356mm
-----	-------	-------