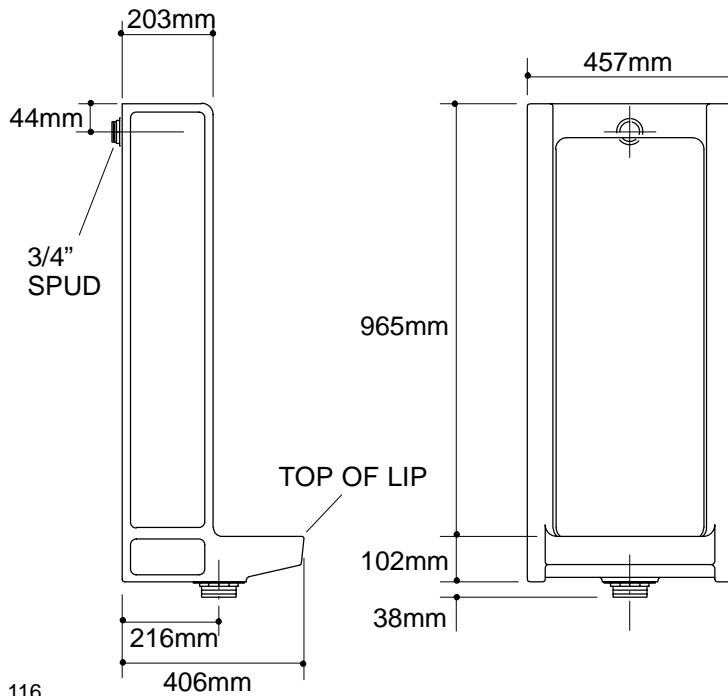


**Ordering Information**

Accessories/hardware:		
Strainer with china grate	K-9172	recommended
Strainer with stainless steel beehive grate	K-9183	
3/4" replacement spud	18377	optional
Seam covers with spring clamps (533mm centers)	K-4931	optional
Seam covers with spring clamps (610mm centers)	K-4932	optional
China caps (pr.)	64784	optional
Recommended strainers are used for caulking 2" iron pipe or soldering 2" lead pipe.		

**Product Information**

<b>ADA compliant.</b>	
Fixture:	
Configuration	Rear spud
Litres per flush	3.785 litres*
Spud inlet size	3/4"
* Designed to flush with 3.785 litres of water when installed with a water saving flush valve.	
Included Components:	
Spud	18774
Flush valve requirements: Refer to manufacturer's instructions and local codes.	



**Roughing-In Notes**  
 Fixture dimensions are nominal and conform to tolerances in ASME Standard A112.19.2M.  
 For proper drainage, install lip of urinal below floor level.

116