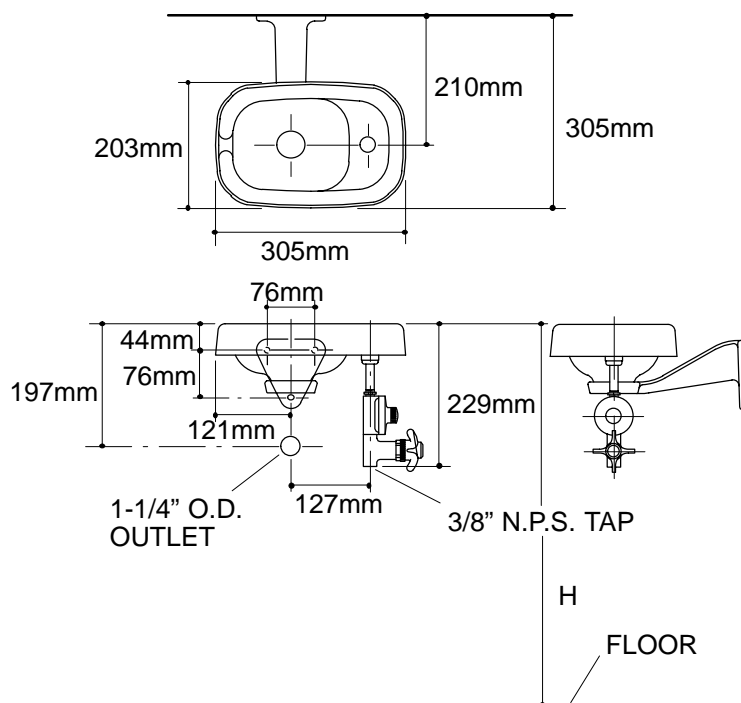


Ordering Information

Accessories/hardware:		
1-1/2" trap	K-8998	recommended

Product Information

Included Components:	
Supply fitting	8554
Strainer	8595
Wall bracket	8596



Roughing-In Notes

Fixture dimensions are nominal and conform to tolerances in ANSI Standard A112.19.2M.

- H 762mm for grade school.
- 914mm to 1118mm for other buildings.
- 914mm max. to comply with ADA. Must be built-in for knee clearance.

1.15>116