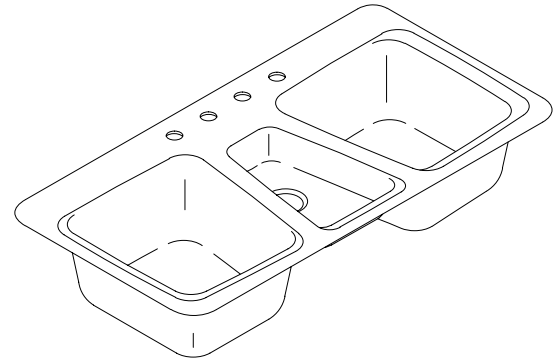


SELF-RIMMING KITCHEN SINK

K-5914

FEATURES

- 43" x 22"
- Cast iron
- Acid resistant enamel finish
- Self-rimming
- Triple compartment sink with two equal basins and smaller center disposal basin
- 5-hole (K-5914-5) or 4-hole (K-5914-4) drilling



CODES/STANDARDS APPLICABLE

Specified model meets or exceeds the following:

- ASME/ANSI A112.19.1M
- IAPMO/UPC
- Canadian Standards Association (CSA)
- State of Massachusetts

COLORS/FINISHES

- 0 White
- Other Refer to Fixtures Price Book for additional colors

Accessories:

- CP Polished Chrome
- NA None Applicable
- Other Refer to Price Book for additional finishes

SPECIFIED MODEL:

Model	Description	Colors/Finishes	
K-5914-5	5-hole sink	<input type="checkbox"/> 0 White	<input type="checkbox"/> Other_____
K-5914-4	4-hole sink	<input type="checkbox"/> 0 White	<input type="checkbox"/> Other_____

Recommended Accessories			
K-9000	Trap		<input type="checkbox"/> CP
Optional Accessories			
K-5916	Hardwood cutting board (for disposal basin)		<input type="checkbox"/> NA
K-8801	Duostrainer sink strainer	<input type="checkbox"/> CP	<input type="checkbox"/> Other_____

PRODUCT SPECIFICATION:

The self-rimming sink shall be 43" in length, and 22" in width. Sink shall be made of cast iron with acid resistant enamel finish. Sink shall be triple compartment with two equal basins and smaller disposal basin. Sink shall be 5-hole (K-5914-5), or 4-hole (K-5914-4) drilled. Sink shall be Kohler Model K-5914-_____-_____.

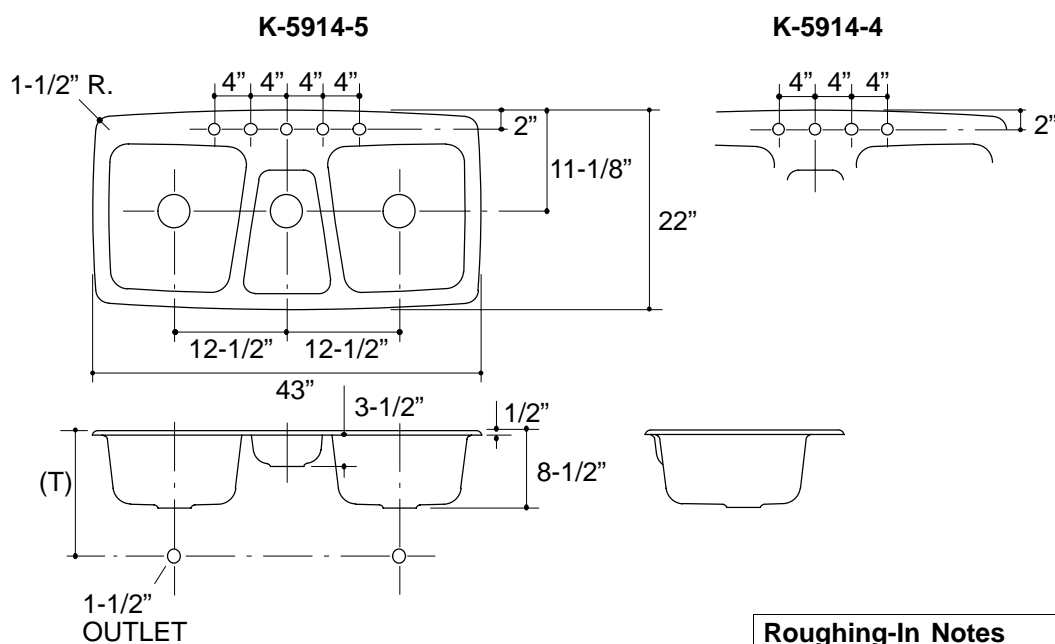
TRIESTE™

PRODUCT INFORMATION

Fixture*:		basin area	water depth
Sinks		16" x 14"	8"
Disposal		10" x 14"	3-1/2"
Outlets	3-5/8" D.		
Faucet holes	1-3/8" D.		

* Approximate measurements for comparison only.

Included Components:	
Cutout template	100208



Roughing-In Notes

For disposal unit, consult local supplier for roughing-in measurements.

(T) Drain typically 13-7/8".

.75<116

PRODUCT DIAGRAM