

Ordering Information

Applicable product:		
Five-hole sink	K-5914-5	shown
Four-hole sink	K-5914-4	not shown
Accessories/hardware:		
Hardwood cutting board	K-5916	optional

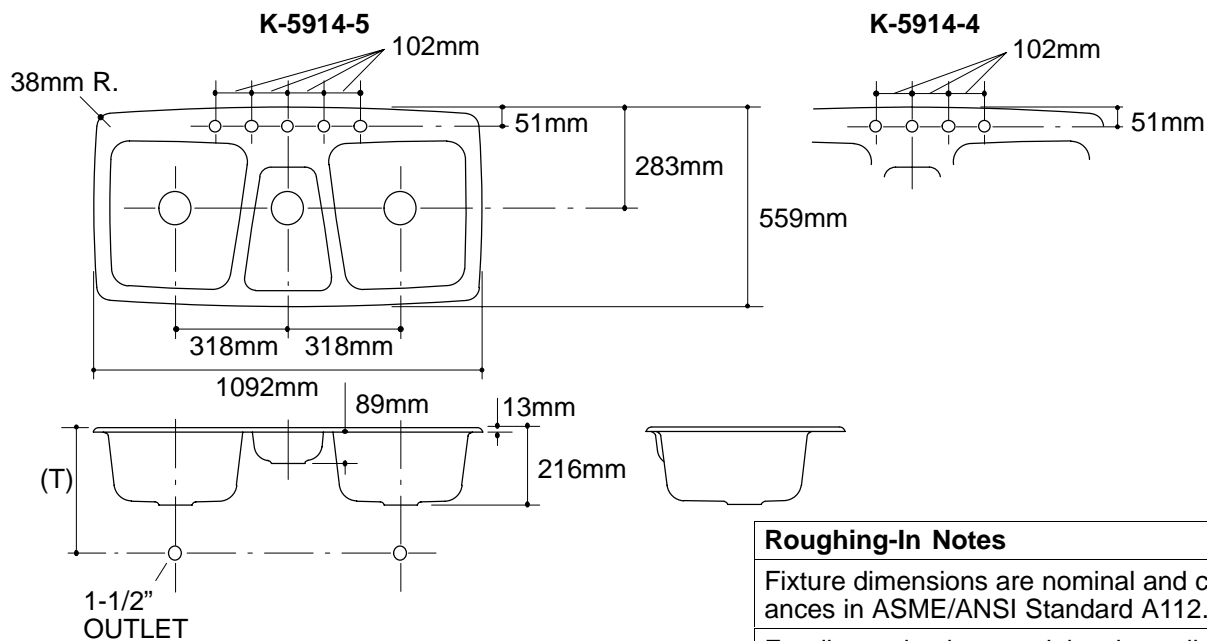
Product Information

Fixture*:		basin area	water depth
Sinks		406 x 356mm	302mm
Disposal		254 x 356mm	89mm
Outlets	Ø92mm		
Faucet holes	Ø35mm		
* Approximate measurements for comparison only.			

Included Components:	
Cutout template	100208

Installation Notes

Refer to installation instructions included with fixture before beginning installation.



Roughing-In Notes

Fixture dimensions are nominal and conform to tolerances in ASME/ANSI Standard A112.19.1M.

For disposal unit, consult local supplier for roughing-in measurements.

(T) Drain typically 352mm.

.75<116

K-5914 Trieste™ Sink
105129-1M-BA (-)

KOHLER®