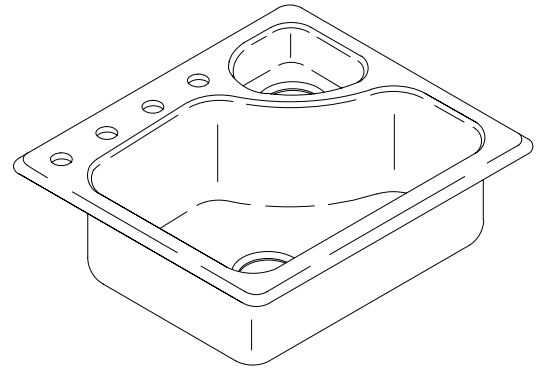


SELF-RIMMING KITCHEN SINK

K-5918

FEATURES

- 25" x 22"
- Cast iron
- Acid resistant enamel finish
- Self-rimming
- Double compartment with elevated disposal basin
- 4-hole (K-5918-4) or 3-hole (K-5918-3) drilling



CODES/STANDARDS APPLICABLE

Specified model meets or exceeds the following:

- ASME/ANSI A112.19.1M
- IAPMO/UPC
- Canadian Standards Association (CSA)
- State of Massachusetts

COLORS/FINISHES

- 0 White
- Other Refer to Fixtures Price Book for additional colors

Accessories:

- CP Polished Chrome
- Other Refer to Price Book for additional colors

SPECIFIED MODEL:

Model	Description	Colors/Finishes	
K-5918-4	4-hole sink	<input type="checkbox"/> 0 White	<input type="checkbox"/> Other_____
K-5918-3	3-hole sink	<input type="checkbox"/> 0 White	<input type="checkbox"/> Other_____

Recommended Accessories			
K-9000	Trap		<input type="checkbox"/> CP
K-8801	Duostrainer sink strainer	<input type="checkbox"/> CP	<input type="checkbox"/> Other_____

PRODUCT SPECIFICATION:

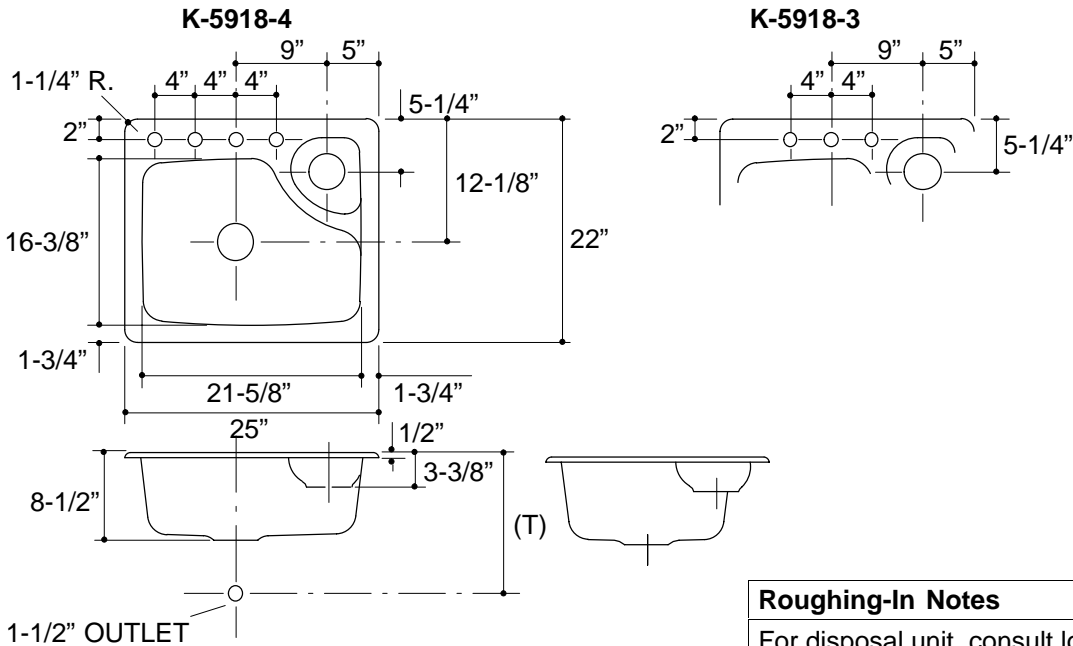
The self-rimming sink shall be 25" in length, and 22" in width. Sink shall be made of cast iron with acid resistant enamel finish. Sink shall be double compartment with elevated disposal basin. Sink shall be 4-hole (K-5918-4), or 3-hole (K-5918-3) drilled. Sink shall be Kohler Model K-5918-_____ - _____.

URBANITE™

PRODUCT INFORMATION

Fixture*:		basin area	water depth
Sink		22" x 16"	7-1/4"
Disposal		8" x 7"	2-1/8"
Outlet	3-5/8" D.		
Faucet holes	1-3/8" D.		

* Approximate measurements for comparison only.



Roughing-In Notes

For disposal unit, consult local supplier for roughing-in measurements.

(T) Drain typically 13-7/8"

Cutout 23-3/4" x 20-3/4" with 1" radius corners.

.85<116

PRODUCT DIAGRAM