

Ordering Information

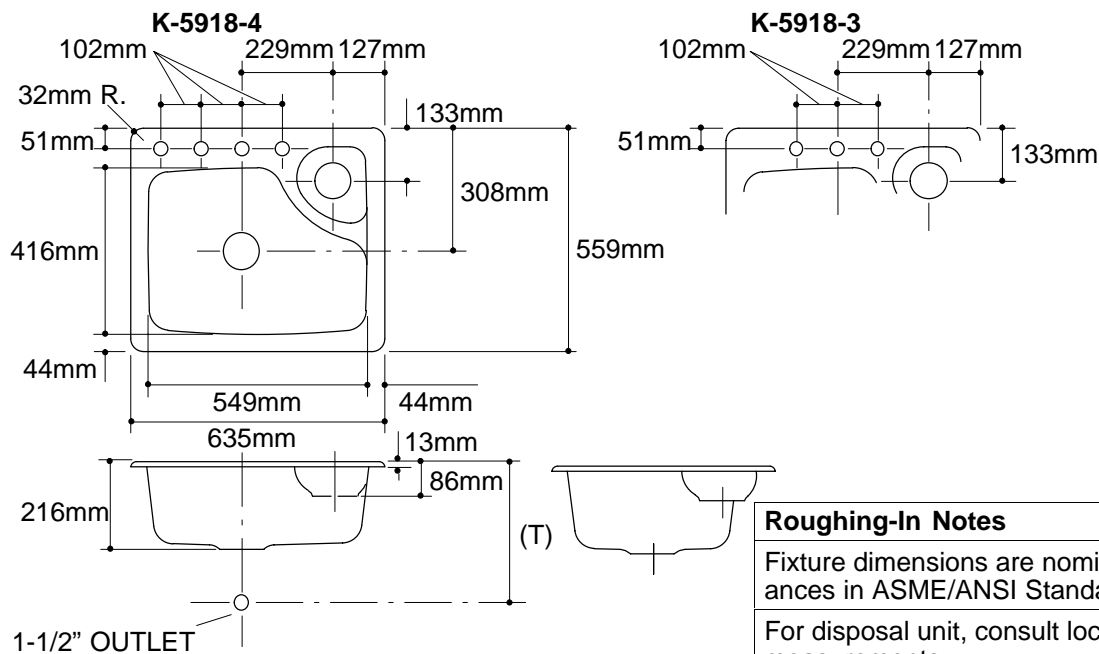
Applicable product:		
Four-hole sink	K-5918-4	shown
Three-hole sink	K-5918-3	not shown

Product Information

Fixture*:		basin area	water depth
Sink		559 x 406mm	184mm
Disposal		203 x 178mm	54mm
Outlet	Ø92mm		
Faucet holes	Ø35mm		
* Approximate measurements for comparison only.			

Installation Notes

Refer to installation instructions included with fixture before beginning installation.



Roughing-In Notes

Fixture dimensions are nominal and conform to tolerances in ASME/ANSI Standard A112.19.1M.

For disposal unit, consult local supplier for roughing-in measurements.

(T) Drain typically 352mm.

Cutout 603 x 527mm with 25mm radius corners.

.85<116