

**Ordering Information**

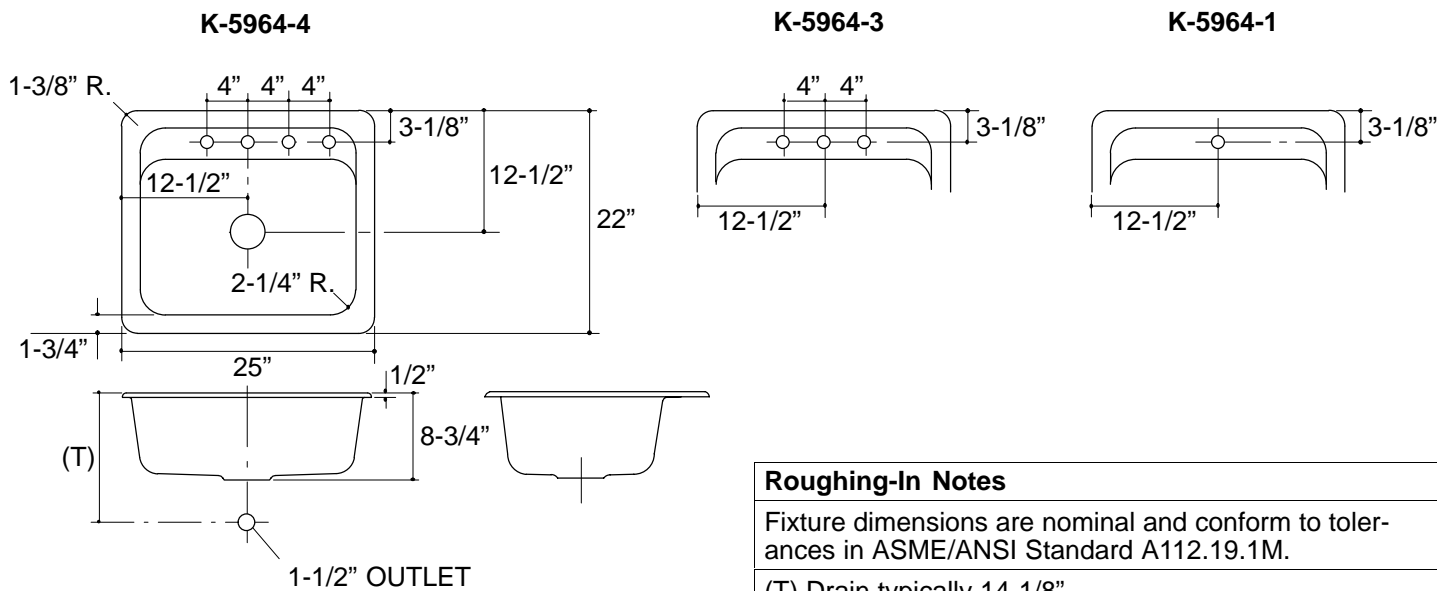
Applicable product:		
Four-hole sink	K-5964-4	shown
Three-hole sink	K-5964-3	not shown
One-hole sink	K-5964-1	not shown
Accessories/hardware:		
Bottom basin rack	K-6003	optional
Hardwood cutting board	K-6513	optional

**Product Information**

Fixture*:		basin area	water depth
Sink		22" x 15"	7-3/4"
Outlet	3-5/8" D.		
Faucet holes	1-3/8" D.		
* Approximate measurements for comparison only.			

**Installation Notes**

Refer to installation instructions included with fixture before beginning installation.



<b>Roughing-In Notes</b>	
Fixture dimensions are nominal and conform to tolerances in ASME/ANSI Standard A112.19.1M.	
(T) Drain typically 14-1/8".	
Cutout	23-3/4" x 20-3/4" with 1" radius corners.

.85<116