

Ordering Information

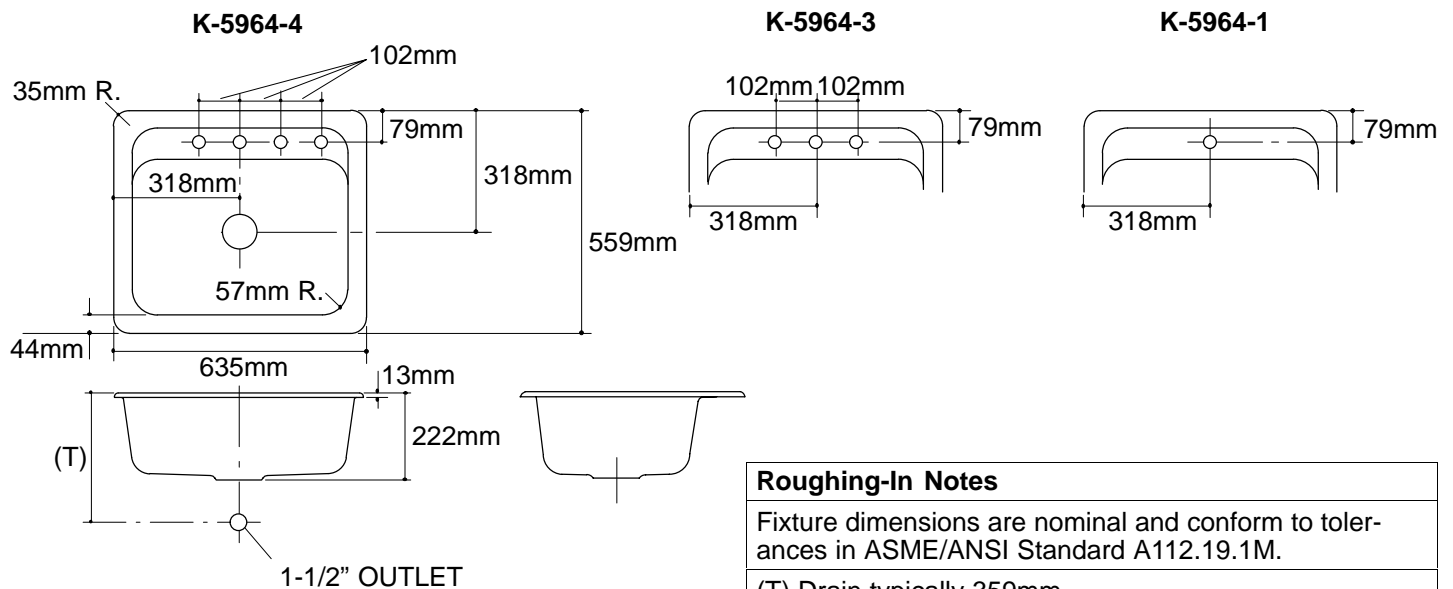
Applicable product:		
Four-hole sink	K-5964-4	shown
Three-hole sink	K-5964-3	not shown
One-hole sink	K-5964-1	not shown
Accessories/hardware:		
Bottom basin rack	K-6003	optional
Hardwood cutting board	K-6513	optional

Product Information

Fixture*:		basin area	water depth
Sink		559 x 381mm	197mm
Outlet	Ø92mm		
Faucet holes	Ø35mm		
* Approximate measurements for comparison only.			

Installation Notes

Refer to installation instructions included with fixture before beginning installation.



Roughing-In Notes

Fixture dimensions are nominal and conform to tolerances in ASME/ANSI Standard A112.19.1M.

(T) Drain typically 359mm.

Cutout	603 x 527mm with 25mm radius corners.
--------	---------------------------------------