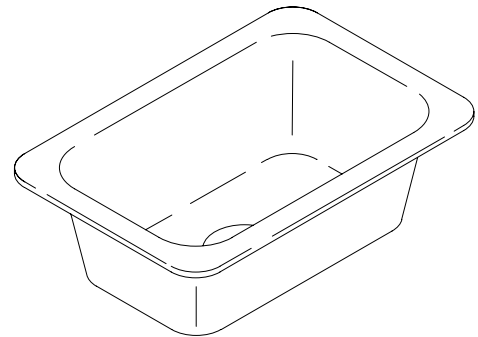


K-6550, K-6551, K-6553

FEATURES

- 18" x 12" (K-6550)
- 24" x 18" (K-6551)
- 30" x 18" (K-6553)
- Cast iron
- Acid resistant enamel finish
- Metal frame mounting
- Single compartment



CODES/STANDARDS APPLICABLE

Specified model meets or exceeds the following:

- ASME/ANSI A112.19.1M
- IAPMO/UPC
- Canadian Standards Association (CSA)
- State of Massachusetts

COLORS/FINISHES

- 0 White
- Other Refer to Fixtures Price Book for additional colors

Accessories:

- CP Polished Chrome
- Other Refer to Faucets Price Book for additional colors
- NA None Applicable

SPECIFIED MODEL:

Model	Description	Colors/Finishes	
K-6550	18" x 12" sink	<input type="checkbox"/> 0 White	<input type="checkbox"/> Other_____
K-6551	24" x 18" sink	<input type="checkbox"/> 0 White	<input type="checkbox"/> Other_____
K-6553	30" x 18" sink	<input type="checkbox"/> 0 White	<input type="checkbox"/> Other_____

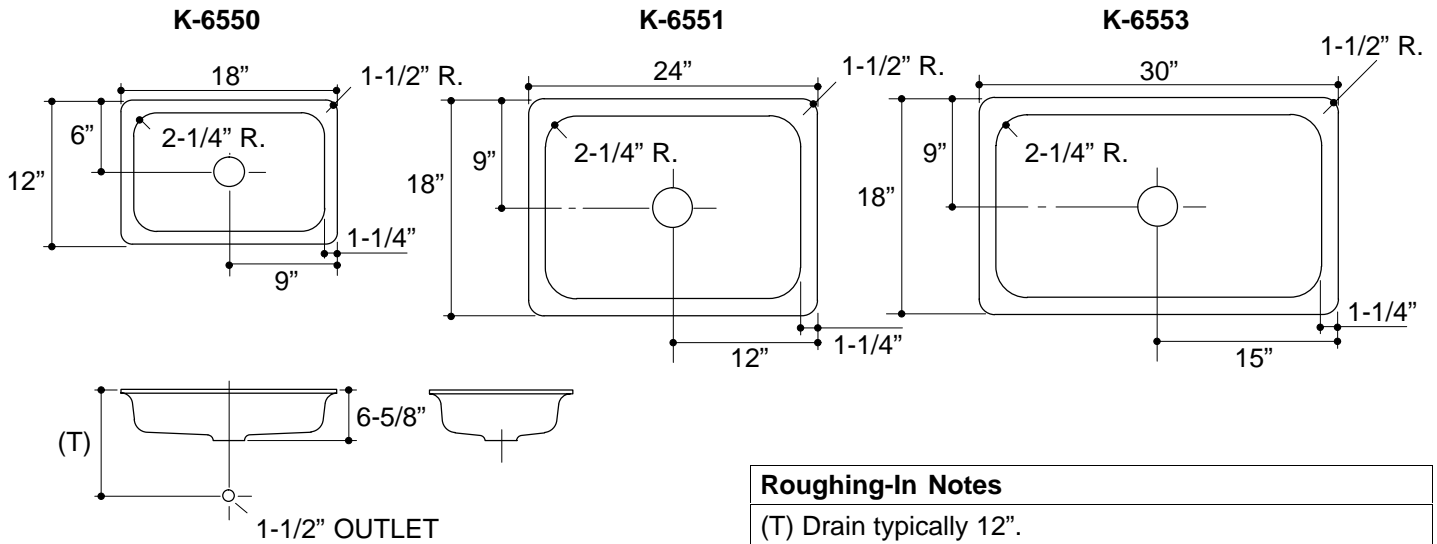
Recommended Accessories			
K-9000	Trap		<input type="checkbox"/> CP
Optional Accessories			
K-6593	Metal frame (for K-6550)		<input type="checkbox"/> NA
K-6594	Metal frame (for K-6551)		<input type="checkbox"/> NA
K-6597	Metal frame (for K-6553)		<input type="checkbox"/> NA
K-8801	Duostrainer sink strainer	<input type="checkbox"/> CP	<input type="checkbox"/> Other_____

PRODUCT SPECIFICATION:

The utility sink shall either be 18" in length, and 12" in width (K-6550); 24" in length, and 18" in width (K-6551); or 30" in length, and 18" in width (K-6553). Sink shall be made of cast iron with acid resistant enamel finish. Sink shall be for metal frame installation. Sink shall be single compartment. Sink shall be Kohler Model K-_____-_____.

PRODUCT INFORMATION

Fixture*:		basin area	water depth
Sink, K-6550		16" x 10"	6"
Sink, K-6551		22" x 16"	6"
Sink, K-6553		28" x 16"	6"
Outlet	3-5/8" D.		
* Approximate measurements for comparison only.			



1.25>116

PRODUCT DIAGRAM