

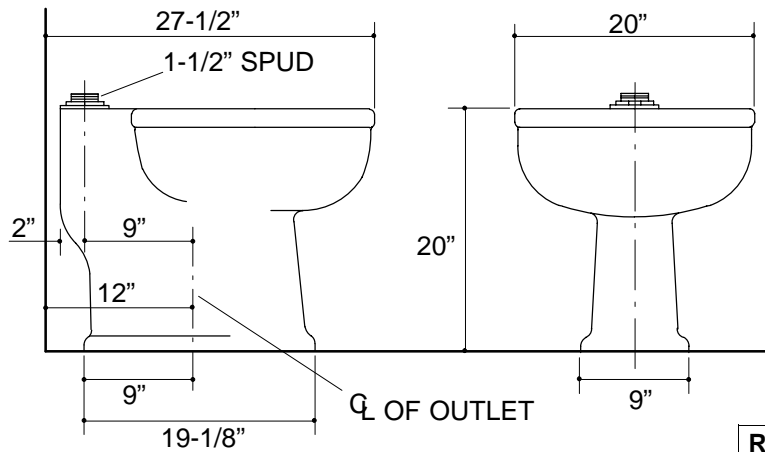
Ordering Information

Accessories/hardware:		
Floor bolts (pr.)	21401	recommended
Stainless steel rim guard	K-8935	recommended

Product Information

Fixture*:		basin area	water depth
Sink		17" x 17"	7-5/8"
Water surface	12" x 12"		
Outlet	2-3/4" D.		
Spud hole	2-1/4" D.		
Passageway	2-1/2"		
Minimum running pressure required			25 p.s.i.
* Approximate measurements for comparison only.			

Included Components:	
1-1/2" spud	18357
Bolt caps (pr.)	52048



Roughing-In Notes
Fixture dimensions are nominal and conform to tolerances in ANSI Standard A112.19.2M.