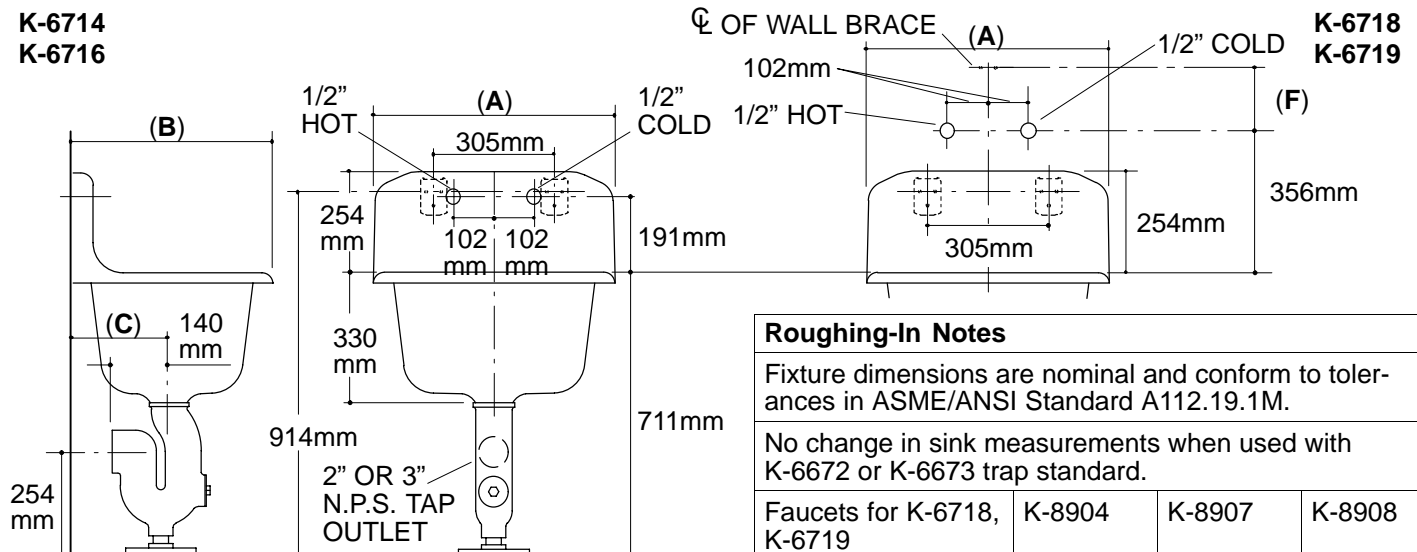


### Ordering Information

Applicable product:		
565 x 464mm, drilled back	K-6714	shown
610 x 514mm, drilled back	K-6716	shown
565 x 464mm, blank back	K-6718	shown
610 x 514mm, blank back	K-6719	shown
Accessories/hardware:		
Trap std. (for 2" iron pipe)	K-6672	recommended
Trap std. (for 3" iron pipe)	K-6673	recommended
Knoxford faucet for K-6718 and K-6719	K-8904	recommended*
Kinlock faucet for K-6718 and K-6719	K-8907	
Kinlock faucet for K-6718 and K-6719	K-8908	
*Recommended for configuration illustrated.		

### Product Information

Fixture*:		basin area	water depth
K-6714, K-6718		457 x 356mm	305mm
K-6716, K-6719		508 x 406mm	305mm
Outlet	Ø73mm		
Faucet holes	Ø38mm		
Rim guard holes	Ø16mm		
* Approximate measurements for comparison only.			
Included Components:			
Hangers			64515
Stainless steel rim guards			K-8937



Roughing-In Notes			
Fixture dimensions are nominal and conform to tolerances in ASME/ANSI Standard A112.19.1M.			
No change in sink measurements when used with K-6672 or K-6673 trap standard.			
Faucets for K-6718, K-6719	K-8904	K-8907	K-8908
(F)	270mm	283mm	267mm
	(A)	(B)	(C)
K-6714, K-6718	565mm	464mm	216mm
K-6716, K-6719	610mm	514mm	241mm
Recommended accessories/hardware are shown.			

.9<116

**K-6714, K-6716, K-6718, K-6719** Bannon<sup>™</sup> Sink  
105145-1M-AA (9631)

# KOHLER<sup>®</sup>