

Ordering Information

Applicable product:		
Three-hole sink	K-6757-3	shown
Accessories/hardware:		
Metal frame	K-6596	recommended
Strainer (or)	K-8820	recommended
Strainer with stopper	K-8821	recommended

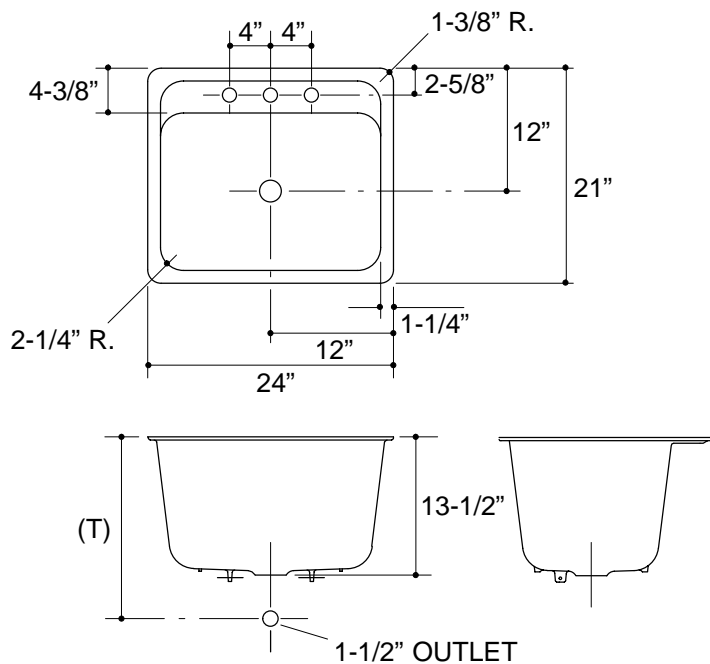
Product Information

Fixture*:		basin area	water depth
Sink		22" x 15"	12-1/2"
Water capacity	14 gallons		
Outlets	2-1/8" D.		
Faucet holes	1-3/8" D.		

* Approximate measurements for comparison only.

Installation Notes

Refer to installation instructions included with fixture before beginning installation.



Roughing-In Notes

Fixture dimensions are nominal and conform to tolerances in ASME/ANSI Standard A112.19.1M.

(T) Drain typically 17-3/4".

Cutout	Metal frame required.
--------	-----------------------

.85<116