

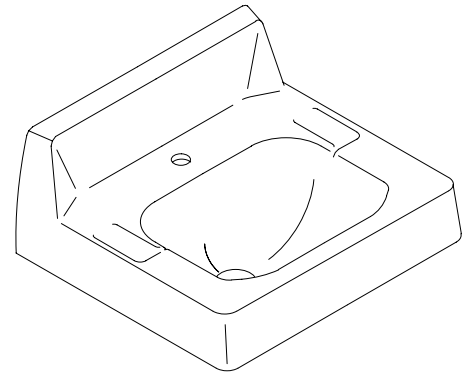
#### FEATURES

- 20" x 18"
- Vitreous china
- Wall-mount
- Drilled center hole
- With hanger
- With overflow
- Drilled for concealed arm carrier and fixture-supported knee control fitting

#### CODES/STANDARDS APPLICABLE

Specified model meets or exceeds the following:

- ASME/ANSI A112.19.2M
- IAPMO/UPC
- Canadian Standards Association (CSA)



#### COLORS/FINISHES

- 0 White

#### Accessories:

- CP Polished Chrome
- NA None Applicable

#### SPECIFIED MODEL:

Model	Description	Colors/Finishes
K-2068-1	Single-hole lavatory	<input type="checkbox"/> 0 White
<b>Optional Accessories</b>		
K-13885	Offset drain	<input type="checkbox"/> CP
K-1808-P	12" brackets (pair)	<input type="checkbox"/> NA
K-13715	Knee control fitting	<input type="checkbox"/> CP

#### PRODUCT SPECIFICATION:

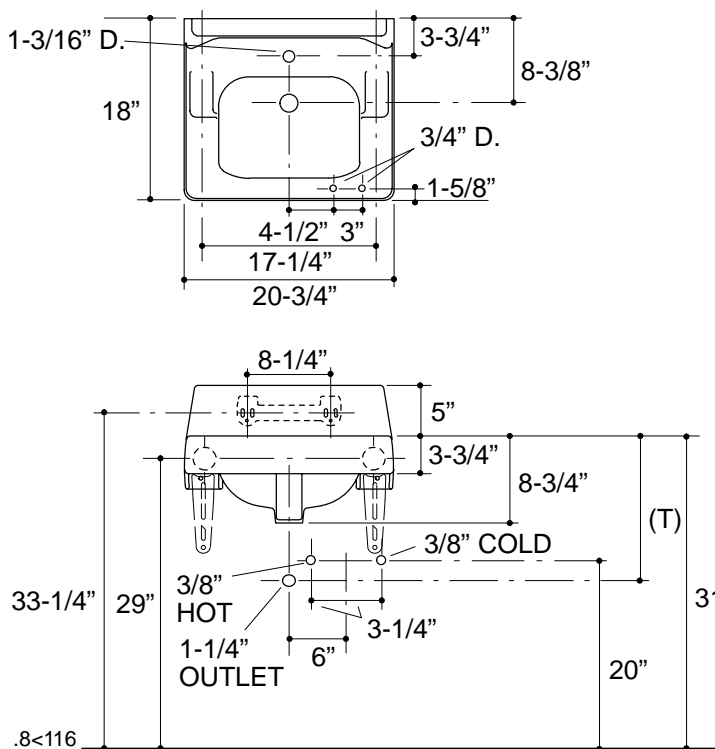
The lavatory shall be 20" in length, and 18" in width. Lavatory shall be made of vitreous china. Lavatory shall be wall-mount with hanger. Lavatory shall have center hole drilling. Lavatory shall have overflow. Lavatory shall be drilled for concealed arm carrier and fixture-supported knee control fitting. Lavatory shall be Kohler Model K-2068-1-\_\_\_\_\_.

## PRODUCT INFORMATION

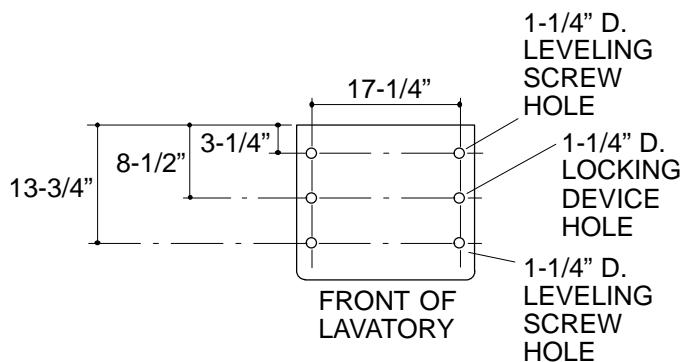
Fixture*:		basin area	water depth
Lavatory		14" x 10"	5-3/4"
Outlet	1-3/4" D.		
Spout hole	1-3/16" D.		
Knee control fitting holes	3/4" D.		

\* Approximate measurements for comparison only.

Included Components:	
Hanger (1)	64839



### CONCEALED ARM HOLE LOCATIONS



### Roughing-In Notes

(T) Drain 13-1/4".

Supplied hanger or optional brackets not used with concealed arm carrier.

## PRODUCT DIAGRAM