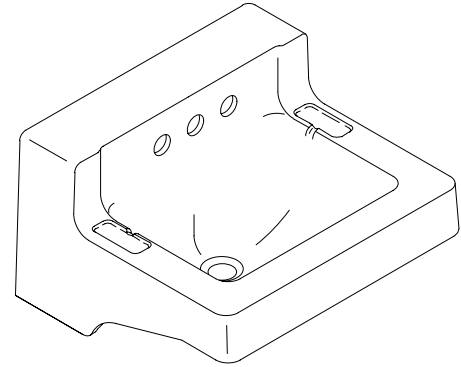


### WALL-MOUNT LAVATORY

# K-12672, K-12674

#### FEATURES

- 19" x 17"
- Vitreous china
- Wall-mount
- Shelf-back
- Single hole drilling through shelf top (K-12672)
- Faucet drillings through back (K-12674)
- Less all fittings
- With overflow



#### CODES/STANDARDS APPLICABLE

Specified model meets or exceeds the following:

- ASME/ANSI A112.19.2M
- IAPMO/UPC
- Canadian Standards Association (CSA)

#### COLORS/FINISHES

- 0 White

#### SPECIFIED MODEL:

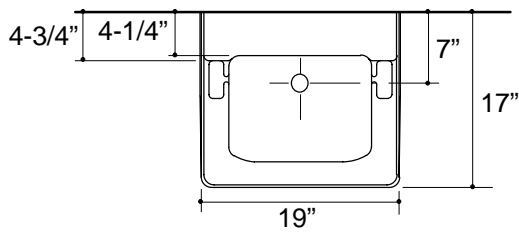
Model	Description	Colors/Finishes
K-12672	Single-hole drilling through top shelf lavatory	<input type="checkbox"/> 0 White
K-12674	Faucet drillings through back lavatory	<input type="checkbox"/> 0 White

#### PRODUCT SPECIFICATION:

The wall mount, shelf-back lavatory shall be 19" in length, and 17" in width. Lavatory shall be made of vitreous china. Lavatory shall have center hole drilling through shelf top (K-12672) or faucet drillings through back (K-12674). Lavatory shall be less all fittings. Lavatory shall have overflow. Lavatory shall be Kohler Model K-\_\_\_\_\_-\_\_\_\_\_.

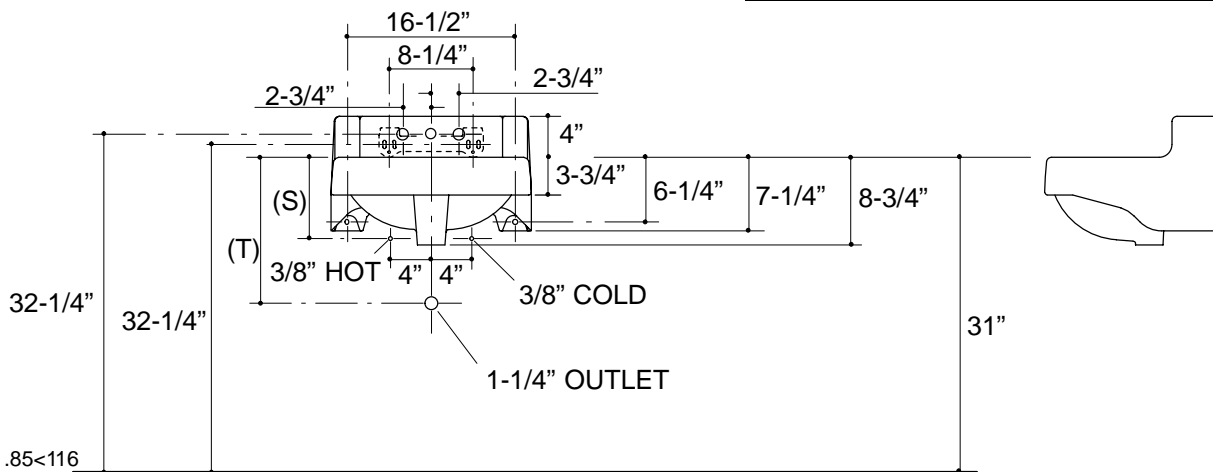
## PRODUCT INFORMATION

Fixture*:		basin area	water depth
Lavatory		14" x 11"	5-1/4"
Outlet	1-3/4" D.		
Faucet holes	1-3/16" D.		
Spout hole	1-1/8" D.		
* Approximate measurements for comparison only.			
Holes	<b>K-12672</b>		
Spout	1-1/8" D.		
Faucet	1-3/16" D.		
Included Components:			
Hanger (1)		64839	



### Roughing-In Notes

- (T) Pop-up drain typically 14-3/8", drain typically 13-1/2".
- (S) 8" (Based on 12" riser which may require cutting).



## PRODUCT DIAGRAM