

K-6926
K-6929

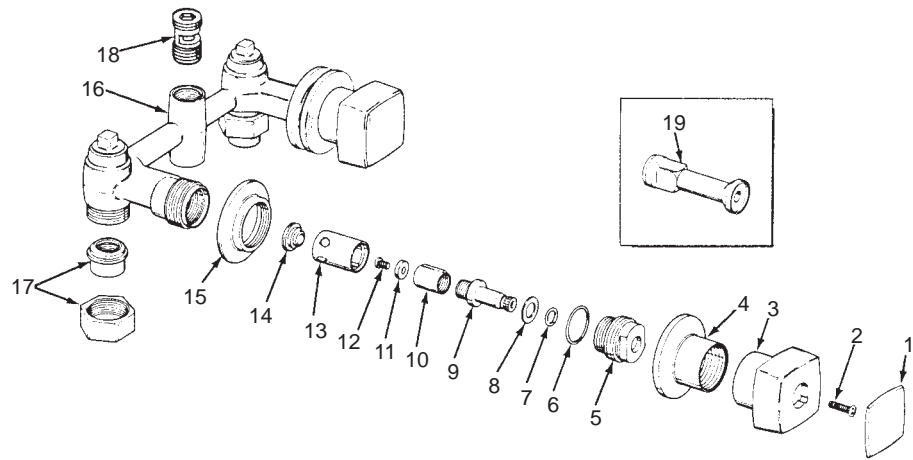
ALTERNA
ALTERNA

DECK-MOUNTED BATH/SHOWER SUPPLY YOKE
DECK-MOUNTED BATH/SHOWER SUPPLY YOKE FOR SUPER BATH OR SUPER BATH WHIRLPOOL

ORDER BY KIT NUMBER OR PART NUMBER, NOT ITEM NUMBER OR KIT LETTER.

Ordering Options

| Item | Part No. or Kit |
|---------|--------------------|
| 1 | A |
| 2 | B |
| 3 | 29718‡ |
| 4 | C |
| 5 | 34253 |
| 6, 7, 8 | D, E |
| 9, 10 | D |
| 11, 12 | D, E |
| 13 | D |
| 14 | D, E |
| 15 | 23077 |
| 16 | * |
| 17 | F or G |
| 18 | 20421 |
| 19 | H |



Kit Ordering Information

| Kit | Kit Part No. | Kit Name | Kit Contents |
|-----|--------------|-------------------------------|--------------------------------------|
| A | 29747 | Index Caps | Set of 4 pr., item 1, 4 colors |
| B | 30105 ‡ | Screw | 2 ea., Item 2 |
| C | 30071 ‡ | Escutcheon | 2 ea., Item 4 |
| D | 30002 | Valve Replacement | 1 ea., Items 6 thru 14 |
| E | 30294 | Valve Rebuilding | 2 ea., Items 6, 7, 8, 11, 12, and 14 |
| F | 30204 | Union S.A. (1/2" I.P.) | 2 ea., Item 17 |
| G | 30203 | Union S.A. (5/8" O.D. Copper) | 2 ea., item 17 |
| H | 30215 | Seat Extension (6" Rough-in) | 2 ea., item 19 |

KITS MAY INCLUDE EXTRA PARTS

NOTES:

* Not available as a service part.

LEGEND:

‡ Specify Finish.