

KOHLER® SERVICE PARTS

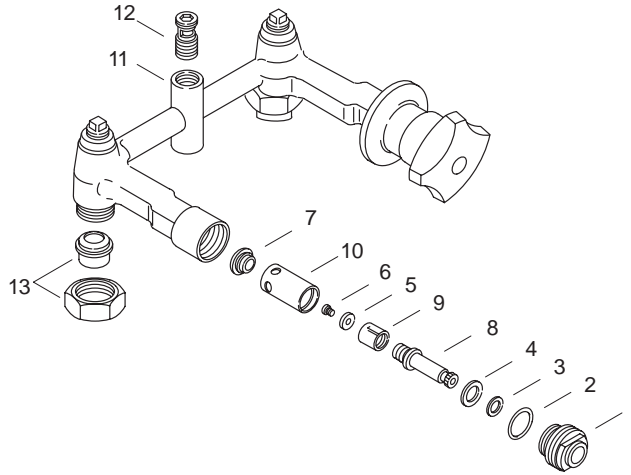
BATH AND SHOWER FITTINGS

FLAIR SERIES BATH AND SHOWER VALVE ASSEMBLY
 FLAIR II SERIES BATH AND SHOWER VALVE ASSEMBLY
 TRITON II SERIES BATH AND SHOWER VALVE ASSEMBLY
 ALTERNA SERIES BATH AND SHOWER VALVE ASSEMBLY
 FINESSE SERIES BATH AND SHOWER VALVE ASSEMBLY

(SEE EXPANDED "NOTES" SECTION ON FOLLOWING PAGE FOR PRODUCT NUMBERS)
 ORDER BY KIT NUMBER OR PART NUMBER, NOT ITEM NUMBER OR KIT LETTER.

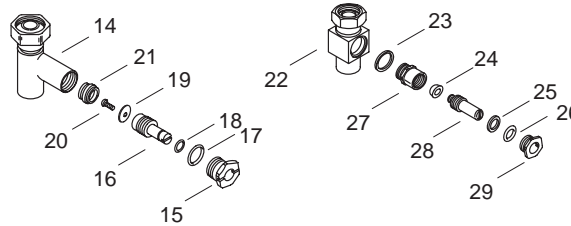
Ordering Options

Item	Part No. or Kit
VALVE ASSEMBLY	
1	34253†
2 thru 7	E or F,R or S
8, 9, 10	E or R or S
11	*
12	20421
13	G or H



Ordering Options

Item	Part No. or Kit
STOPS	
14	*
15, 16	J
17 thru 21	I, J
22	L or M
23 thru 26	L or M,N,O
27, 28, 29	L or M, O

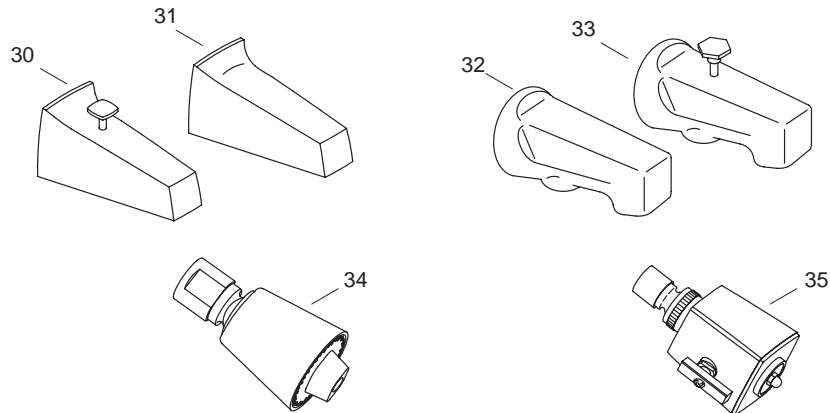


PRE-1985**

POST-1985**

Ordering Options

Item	Part No. or Kit
SPOUTS AND SHOWERHEADS	
30	41995‡
31	41998‡■
32	29727‡
33	41998‡■
34	K-7371‡■
35	K-7331‡■



OVER

NOTES:

- † #21263 Bonnet wrench required for service.
- * Not available as a service part.
- ** Post-1985 stop is interchangeable with pre-1985 stop.

LEGEND:

- † Service tool required, see NOTES section.
- ‡ Specify finish.
- Parts further exploded within catalog; see INDEX.
- Shading indicates product discontinued.

BATH AND SHOWER FITTINGS

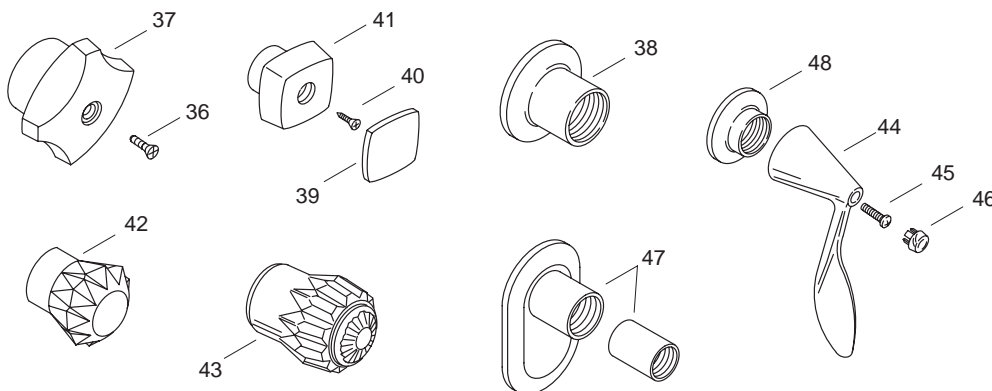
FLAIR SERIES	BATH AND SHOWER VALVE ASSEMBLY
FLAIR II SERIES	BATH AND SHOWER VALVE ASSEMBLY
TRITON II SERIES	BATH AND SHOWER VALVE ASSEMBLY
ALTERNA SERIES	BATH AND SHOWER VALVE ASSEMBLY
FINESSE SERIES	BATH AND SHOWER VALVE ASSEMBLY

Con't.

(SEE NOTES SECTION FOR PRODUCT NUMBERS)
ORDER BY KIT NUMBER OR PART NUMBER, NOT ITEM NUMBER OF KIT LETTER

Ordering Options

Item	Part No. or Kit
ESUTCHEONS AND HANDLES	
36	A
37	B
38	D
39	W
40	P
41	29718†
42, 43	C
44	V
45	U
46	T
47	K
48	Q



Kit Ordering Information

Kit	Kit Part No.	Kit Name	Kit Contents
A	30097‡	Screw	2 ea., Item 36
B	30021‡	Chrome Handle	1 ea. Hot, 1 ea. Cold, item 37
C	106299§	Flair, Flair II Handle Options	see INDEX
D	30071‡	Escutcheon	2 ea., item 38
E	30002‡	Valve Replacement (Closes Clockwise, Symmetric Handles)	1 ea., items 2 thru 10
F	30294‡	Valve Rebuilding	2 ea., items 2 thru 7
G	30204	Union S. A. (1/2" I.P.)	2 ea., item 13
H	30203	Union S.A. (5/8" O.D. Copper)	2 ea., item 13
I	30291	Stop Rebuilding (Minor)	2 ea., items 17 thru 21
J	30304	Stop Rebuilding (Major)	2 ea., items 15 thru 21
K	30095	Oval Escutcheon and Sleeve	2 ea., item 47
L	21310	Stop Replacement (1/2" I.P.)	1 ea., items 22 thru 29
M	21314	Stop Replacement (5/8" O.D. Copper)	1 ea., items 22 thru 29
N	21433	Stop Rebuilding (Minor)	2 ea., items 23 thru 26
O	21434	Stop Rebuilding (Major)	2 ea., items 23 thru 29
P	30105	Screw	2 ea., item 40
Q	30322‡	Finesse Escutcheon	2 ea., item 48
R	30135‡	Valve Replacment (Closes Counterclockwise, Finesse)	1 ea., items 2 thru 10
S	30134‡	Valve Replacment (Closes Clockwise, Finesse)	1 ea., items 2 thru 10
T	30335	Plug Button	1 ea. Hot, 1 ea. Cold, item 46
U	30336	Screw	2 ea., item 45
V	30333‡	Handle	1 ea. Hot, 1 ea. Cold, item 44
W	29747	Index Caps	Set of 4 pr., item 39, 4 colors

KITS MAY INCLUDE EXTRA PARTS

NOTES: PRODUCT NUMBERS AND DESCRIPTIONS

Alterna Series		Triton II Series	
K-6931	Bath/Shower	K-7034-T	Bath with Spout
K-6930	Bath Valve Only	K-7010-T	Bath/Shower/Stops
K-6933	Bath with Spout	K-7004-T	Bath/Shower
K-6944	Shower with Showerhead	K-7234-T	Shower with Showerhead/Stops
		K-7043-T	Bath with Spout/Stops
		K-7227-T	Shower with Showerhead Ceiling Supply
Flair II Series		Flair Series	
K-7004-DB	Bath/Shower	K-7004-FL§	Bath/Shower
K-7034-DB	Bath with Spout	K-7034-FL§	Bath with Spout
K-7226-DB	Shower with Showerhead	K-7226-FL§	Shower with Showerhead
Finesse Series			
K-13367	Shower with Showerhead		
K-13363	Bath/Shower		

LEGEND:

- § Reference Number Only
- ‡ Specify finish.
- Parts further exploded within catalog; see INDEX
- Shading indicates product discontinued.
- † Service tool required; see NOTES section.