

KOHLER® SERVICE PARTS

LAVATORY FITTINGS

K-7401§
K-6960§

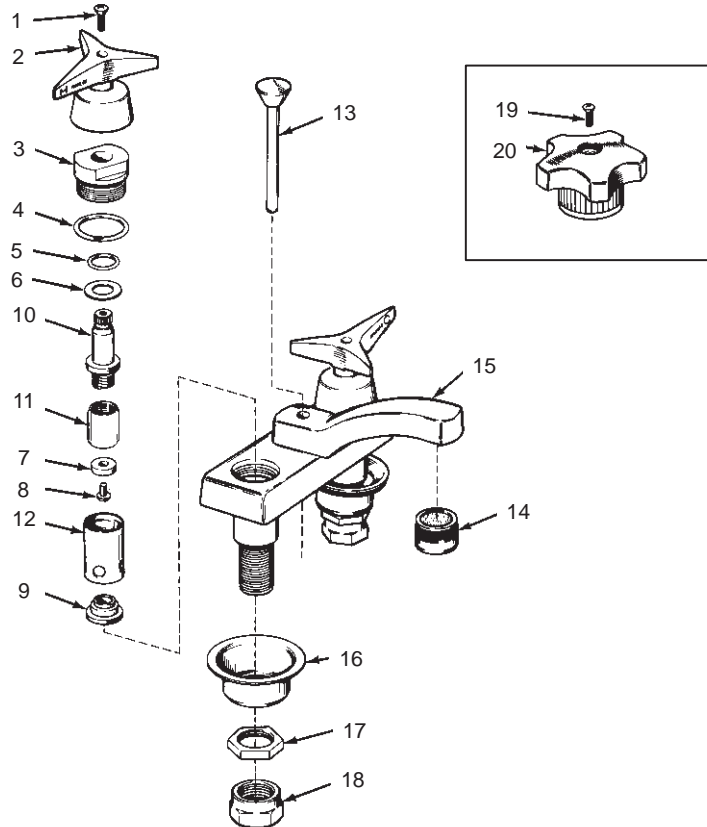
TRITON
CONSTELLATION

CENTRA LAVATORY FITTING
CENTRA LAVATORY FITTING

ORDER BY KIT NUMBER OR PART NUMBER, NOT ITEM NUMBER OR KIT LETTER.

Ordering Options

| Item | Part No. or Kit |
|------------------|--------------------|
| 1 | B or C |
| 2 | D |
| 3 | 34260 |
| 4, 5, 6, 7, 8, 9 | A, E, or F |
| 10, 11, 12 | E or F |
| 13 | 51196‡ |
| 14 | 41056‡ |
| 15 | * |
| 16, 17, 18 | G |
| 19 | H |
| 20 | I |



Kit Ordering Information

| Kit | Kit Part No. | Kit Name | Kit Contents |
|-----|--------------|---|--------------------------------|
| A | 30294 | Valve Rebuilding | 2 ea., Items 4 thru 9 |
| B | 30107 | Screw | 2 ea., Item 1 |
| C | 30097‡ | Screw | 2 ea., Item 1 |
| D | 30027‡ | Triton Handle | 1 ea. Hot, 1 ea. Cold; Item 2 |
| E | 30002 | Valve Replacement (Closes Clockwise) | 1 ea., Items 4 thru 12 |
| F | 30004 | Valve Replacement (Closes Counterclockwise) | 1 ea., Items 4 thru 12 |
| G | 30227 | Attachment S.A. | 2 ea., Items 16, 17, and 18 |
| H | 30109‡ | Screw | 2 ea., Item 19 |
| I | 30026‡ | Constellation Handle | 1 ea. Hot, 1 ea. Cold; Item 20 |

KITS MAY INCLUDE EXTRA PARTS

NOTES:

Other Discontinued Triton Product Numbers Using Same Parts

K-7403§ K-7405§ K-7408§

K-7404§ K-7406§ K-7409§

* Not available as a service part.

LEGEND:

‡ Specify Finish.

§ Reference Number Only.