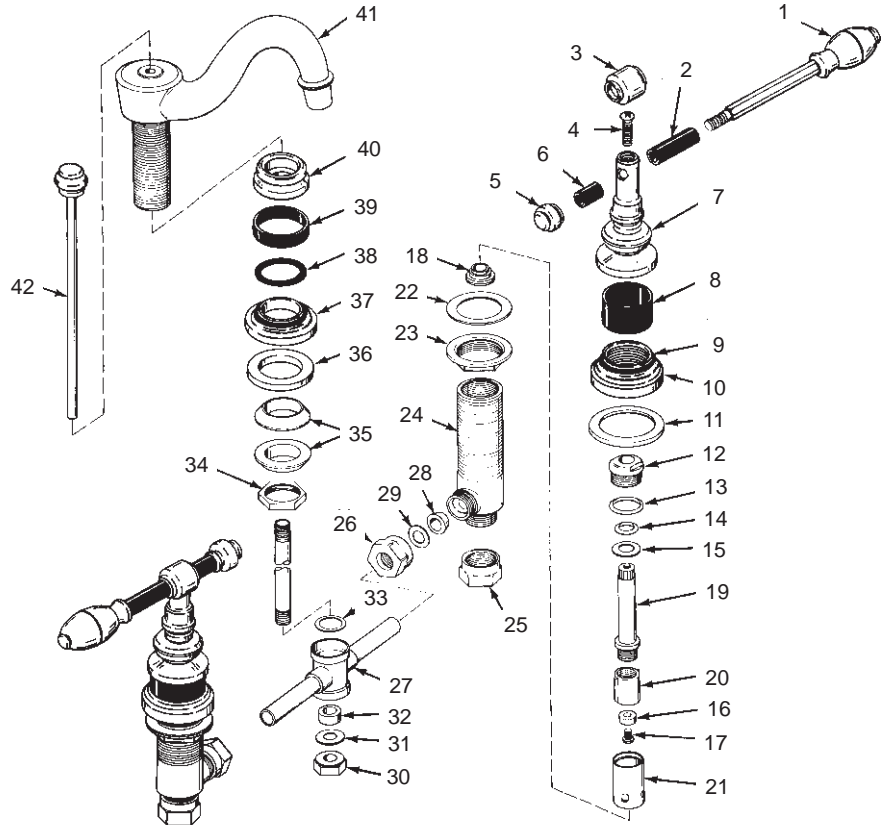


K-6811 IV GEORGES BRASS LAVATORY FITTING
(RIGID CONNECTION)

ORDER BY KIT NUMBER OR PART NUMBER, NOT ITEM NUMBER OR KIT LETTER.

Ordering Options

Item	Part No. or Kit
1	36622†
2	36640†
3	36631†
4	B
5	36635†
6	36639†
7	36641†
8	36638†
9	41364
10	36628†
11	36626
12	20475
13, 14, 15, 16,	A, C or D
17, 18	A, C or D
19, 20, 21	C or D
22, 23	E
24	20480
25, 26	F
27	35823
28, 29, 30, 31, 32,	G
33, 34, 35	G
36	36626
37	36728†
38	41364
39	36637†
40	36627†
41	36623†
42	36624†



Kit Ordering Information

Kit	Kit Part No.	Kit Name
A	30294	Valve Rebuilding
B	30097	Screw
C	30128	Valve Replacement (Closes Clockwise)
D	30127	Valve Replacement (Closes Counterclockwise)
E	30231	Attachment S.A.
F	30228	Coupling Nut
G	30229	Gasket

Kit Contents

2 ea., Items 13 thru 18
2 ea., Item 4
1 ea., Items 13 thru 21
1 ea., Items 13 thru 21
2 ea., Items 22 and 23
2 ea., Item 25 or 26
2 ea., Items 28 and 29; 1 ea., Items 30 thru 35

KITS MAY INCLUDE EXTRA PARTS

NOTES:

† For pop-up drain, see K-7701.

LEGEND:

‡ Specify Finish.