

K-7500

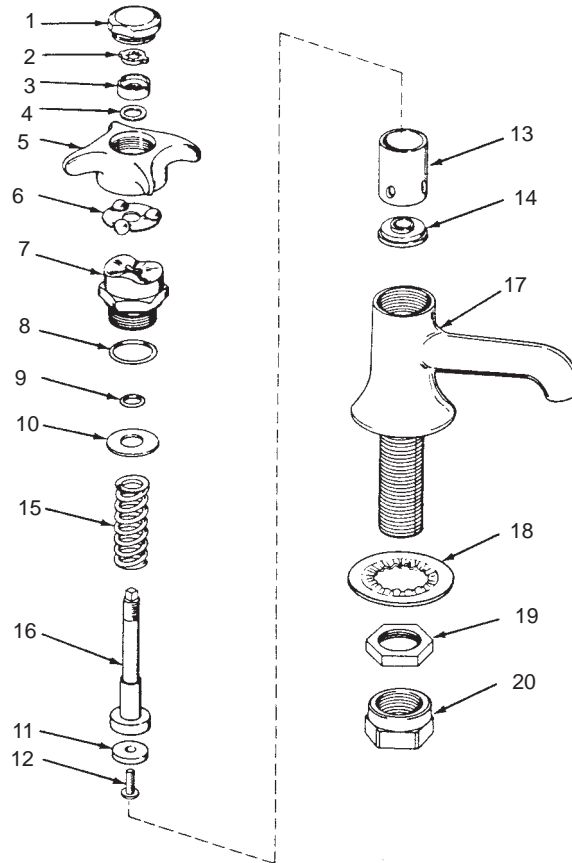
SENTRY

SELF-CLOSING LAVATORY FAUCET

ORDER BY KIT NUMBER OR PART NUMBER, NOT ITEM NUMBER OR KIT LETTER.

Ordering Options

Item	Part No. or Kit
1	33236‡
2, 3, 4	B
5	33237‡
6	31537
7	34941‡
8 thru 14	A
9	A
10	A
11	A
12	A
13	A
14	A
15	35563
16	34988
17	*
18, 19, 20	C



Kit Ordering Information

Kit	Kit Part No.	Kit Name
A	30125	Valve Rebuilding
B	30243	Lock Nut S.A.
C	30228	Attachment S.A.

Kit Contents

1 ea., items 8 thru 14
1 ea., items 2, 3, and 4
2 ea., items 18, 19, and 20

KITS MAY INCLUDE EXTRA PARTS

NOTES:

* Not available as a service part.

LEGEND:

‡ Specify finish.