

KOHLER® SERVICE PARTS

LAVATORY FITTINGS

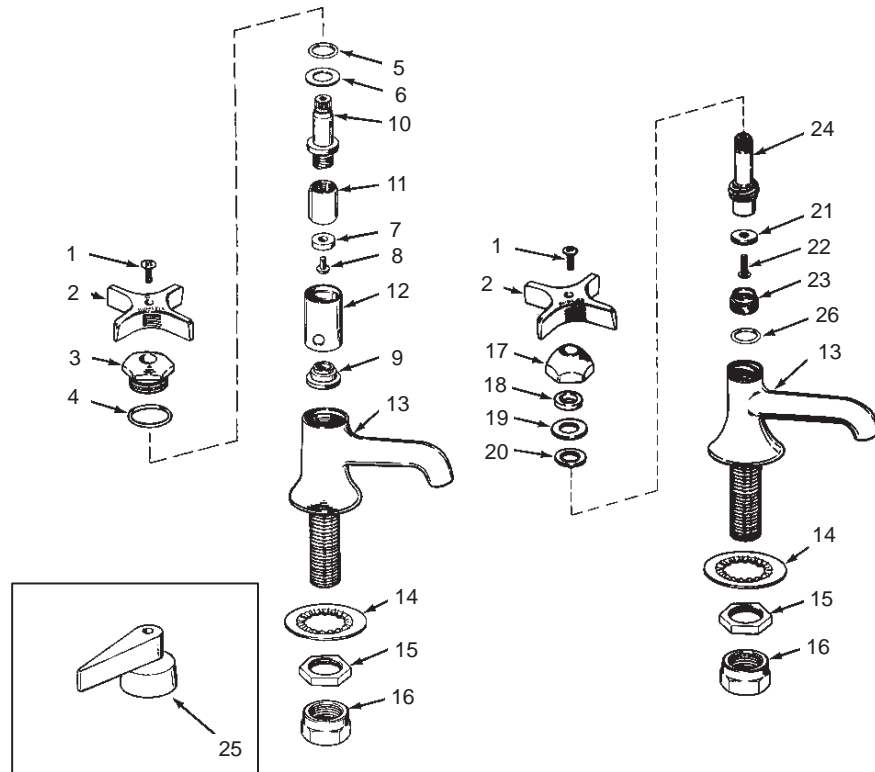
K-7510
K-7512
K-7513

SENTINEL LAVATORY FITTING
ARGYLE LAVATORY FITTING
LAVATORY FITTING WITH LEVER HANDLE

ORDER BY KIT NUMBER OR PART NUMBER, NOT ITEM NUMBER OR KIT LETTER.

Ordering Options

Item	Part No.
1	A
2	B
3	34365‡
4, 5, 6, 7, 8, 9	D
10, 11, 12	C
13	*
14, 15, 16	E
17	32459‡
18, 19, 20, 21, 22	F
23	F or J
24	G or H
25	I
26	F or J



Kit Ordering Information

Kit	Kit Part No.	Kit Name	Kit Contents
A	30105‡	Screw	2 ea., Item 1
B	30015‡	Handle	1 ea. Hot, 1 ea. Cold; Item 2
C	30002	Valve Replacement	1 ea., Items 4 thru 12
D	30294	Valve Rebuilding	2 ea., Items 4 thru 9
E	30228	Attachment S.A.	2 ea., Items 14, 15, and 16
F	30295	Valve Rebuilding	2 ea., Items 18 thru 23, 26
G	31871	Stem w/Washer and Screw (Closes Clockwise)	1 ea., Items 21 thru 24
H	31872	Stem w/Washer and Screw (Closes Counterclockwise)	1 ea., Items 21 thru 24
I	30025‡	Lever Handle	1 ea. Hot, 1 ea. Cold; Item 25
J	56318	Seat Replacement Kit	1 ea., Items 23 and 26

KITS MAY INCLUDE EXTRA PARTS

NOTES:

* Not available as a service part.

LEGEND:

‡ Specify Finish.