

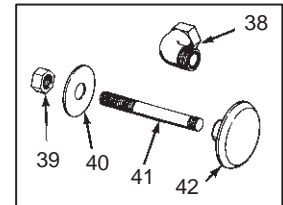
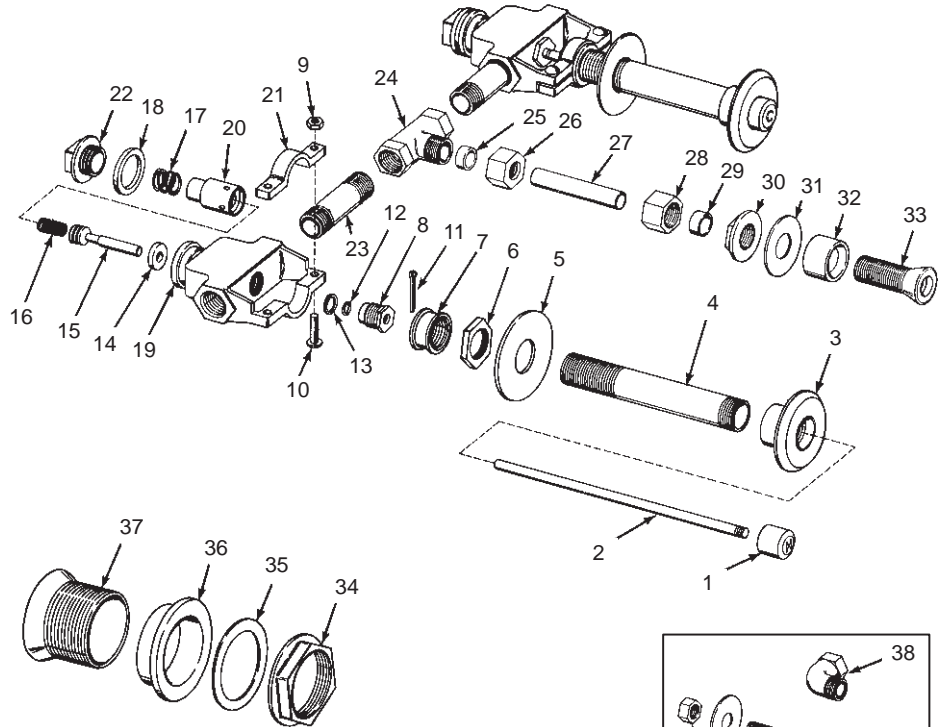
K-7482  
K-7483

PRISON LAVATORY FITTING FOR K-2475  
PRISON LAVATORY FITTING FOR K-2465

ORDER BY KIT NUMBER OR PART NUMBER, NOT ITEM NUMBER OR KIT LETTER.

### Ordering Options

Item	Part No. or Kit
1	B
2	32601*
3	C
4	32602*
5, 6	D
7	E
8, 9, 10	E, F
11	28518
12, 13, 14, 15, 16	A, F
17, 18	A, F
19, 20, 21, 22	F
23	32588
24	32600
25, 26	G
27	32599*
28, 29	G
30, 31, 32, 33	H
34, 35, 36, 37	I
38	35615
39, 40, 41, 42	J



### Kit Ordering Information

Kit	Kit Part No.	Kit Name
A	30132	Valve Rebuilding
B	30032 ‡	Push Button
C	30091 ‡	Escutcheon
D	30244	Attachment
E	30246	Nut S.A.
F	31739	Complete End Body
G	30245	Ferrule S.A.
H	31686 **	Spud Assembly
I	18357 **	Spud Assembly
J	32639 ‡	Supporting Bolt

### Kit Contents

2 ea., Items 12 thru 18  
 1 ea. Hot, 1 ea., Cold; Item 1  
 2 ea., Item 3  
 2 ea., Items 5 and 6  
 1 ea., Items 7 and 8; 11 thru 22; 2 ea., Items 9 and 10  
 2 ea., Items 9 and 10  
 1 ea., Items 25 or 29; 26 or 28  
 1 ea., Items 30 thru 33  
 1 ea., Items 34 thru 37  
 1 ea., Items 39 thru 42

### KITS MAY INCLUDE EXTRA PARTS

#### NOTES:

- \* Specify length.
- \*\* Not included with fittings.

#### LEGEND:

- ‡ Specify Finish.