

# KOHLER® SERVICE PARTS

## SINK FITTINGS

**K-7765-T**  
**K-7761-T**

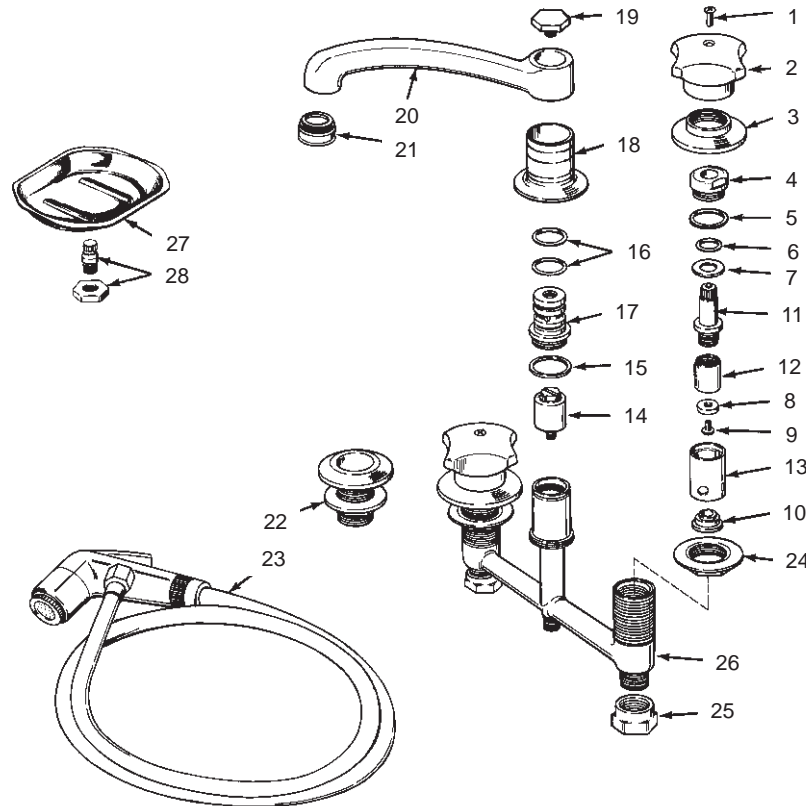
TRITON II  
TRITON II

LEDGE SINK FITTING  
LEDGE SINK FITTING (LESS HOSE AND SPRAY)

ORDER BY KIT NUMBER OR PART NUMBER, NOT ITEM NUMBER OR KIT LETTER.

### Ordering Options

Item	Part No. or Kit
1	B or C
2	D or E
3	F
4	20475
5, 6, 7, 8, 9, 10	A, G, or H
11, 12, 13	G or H
14	I
15, 16	I, J
17	J
18	39908‡
19	K or L
20, 21	38687‡
21	41056‡
22	34329‡
23	38613‡
24	M
25	N
26	*
27	37668‡
28	L



### Kit Ordering Information

Kit	Kit Part No.	Kit Name
A	30294	Valve Rebuilding
B	30097‡	Screw (Triton II Symmetric Handle)
C	30105‡	Screw (Lever Handle)
D	30024‡	Triton II Chrome Handle
E	30025‡	Lever Handle (not illustrated)
F	30083‡	Escutcheon
G	30002‡	Valve Replacement (Closes Clockwise)
H	30004‡	Valve Replacement (Closes Counterclockwise)
I	30020	Diverter
J	30016	Spout Post
K	34312	Cap
L	37766‡	Cap (for Soap Dish)
M	30234‡	Attachment S.A.
N	30230‡	Coupling Nut

### Kit Contents

2 ea., Items 5 thru 10
3 ea., Item 1
3 ea., Item 1
1 ea. Hot, 1 ea. Cold; Item 2
1 ea. Hot, 1 ea. Cold
2 ea., Item 3
1 ea., Items 12, 13, and 14
1 ea., Items 12, 13, and 14
1 ea., Items 14, 15, and 16
1 ea., Items 15, 16, and 17
1 ea., Item 19
1 ea., Item 28
2 ea., Item 24
2 ea., Item 25

### KITS MAY INCLUDE EXTRA PARTS

#### NOTES:

Other Product Numbers Using Same Parts  
 K-7763-T§ K-7763-TL§ K-7761-TL  
 K-7767-TL§ K-7767-T§ K-7765-TL  
 \* Not available as a service part.

#### LEGEND:

‡ Specify Finish.  
 § Reference Number Only.