

KOHLER® SERVICE PARTS

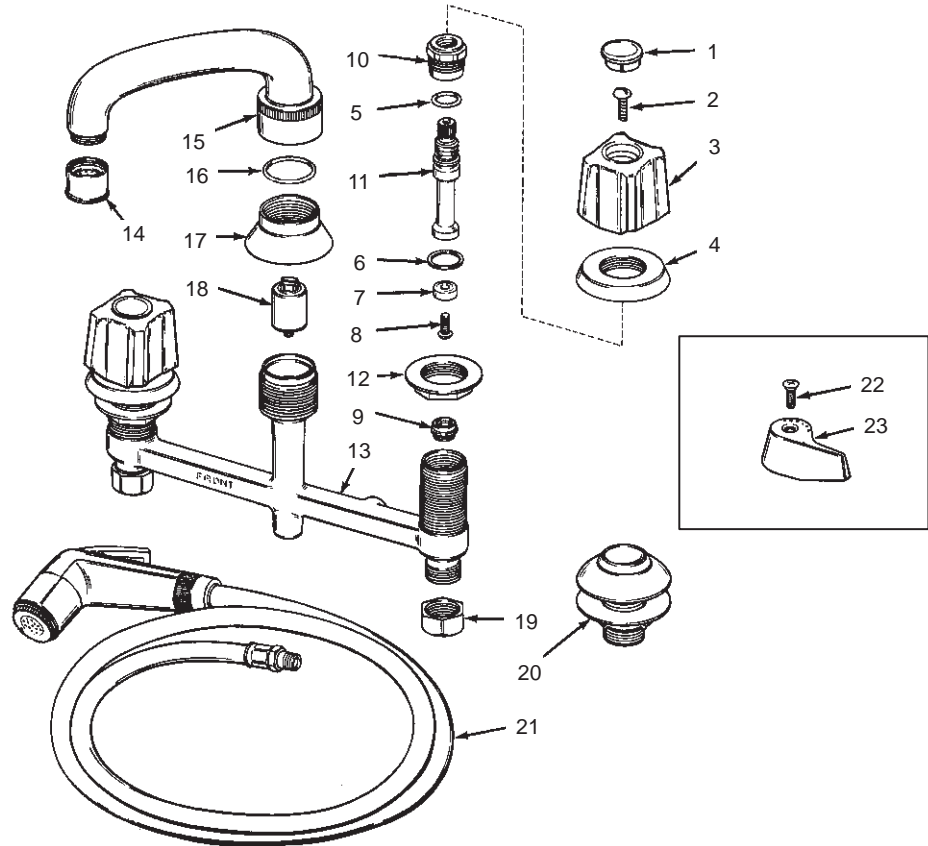
SINK FITTINGS

K-11900§	TREND	CONCEALED SINK FITTING LESS SPRAY ATTACHMENT
K-11905§	TREND	CONCEALED SINK FITTING
K-10900§	SHOREHAM	CONCEALED SINK FITTING LESS SPRAY ATTACHMENT
K-10905§ -PH	SHOREHAM	CONCEALED SINK FITTING WITH PLASTIC HANDLES

ORDER BY KIT NUMBER OR PART NUMBER, NOT ITEM NUMBER OR KIT LETTER.

Ordering Options

Item	Part No. or Kit
1	B
2	C
3	D or E
4	F
5, 6, 7, 8, 9	A, G, or H
10, 11	G or H
12	I
13	*
14, 16	37725‡, J
15, 16	J
17	20807‡
18	39931
19	K
20	40132‡
21	20816‡
22	L
23	M



Kit Ordering Information

Kit	Kit Part No.	Kit Name	Kit Contents
A	30404	Valve Rebuilding	2 ea., Items 5 thru 9
B	30000	Plug Button	1 ea. Hot, 1 ea. Cold; Item 1
C	30098	Screw	2 ea., Item 2
D	30009	Clear Acrylic Handle	2 ea., Item 3
E	30011‡	Chromium Handle	2 ea., Item 3
F	30080‡	Flange	2 ea., Item 4
G	30393	Valve Replacement (Closes Clockwise)	1 ea., Items 5 thru 11
H	30394	Valve Replacement (Closes Counterclockwise)	1 ea., Items 5 thru 11
I	30237	Brass Lock Nut	2 ea., Item 12
J	20815‡	Spout S.A.	1 ea., Items 14, 15, and 16
K	30230	Coupling Nut	2 ea., Item 19
L	30109‡	Screw	2 ea., Item 22
M	30028‡	Shoreham Handle	2 ea., Item 23

KITS MAY INCLUDE EXTRA PARTS

NOTES:

* Not available as a service part.

LEGEND:

‡ Specify Finish.
§ Reference Number Only.