

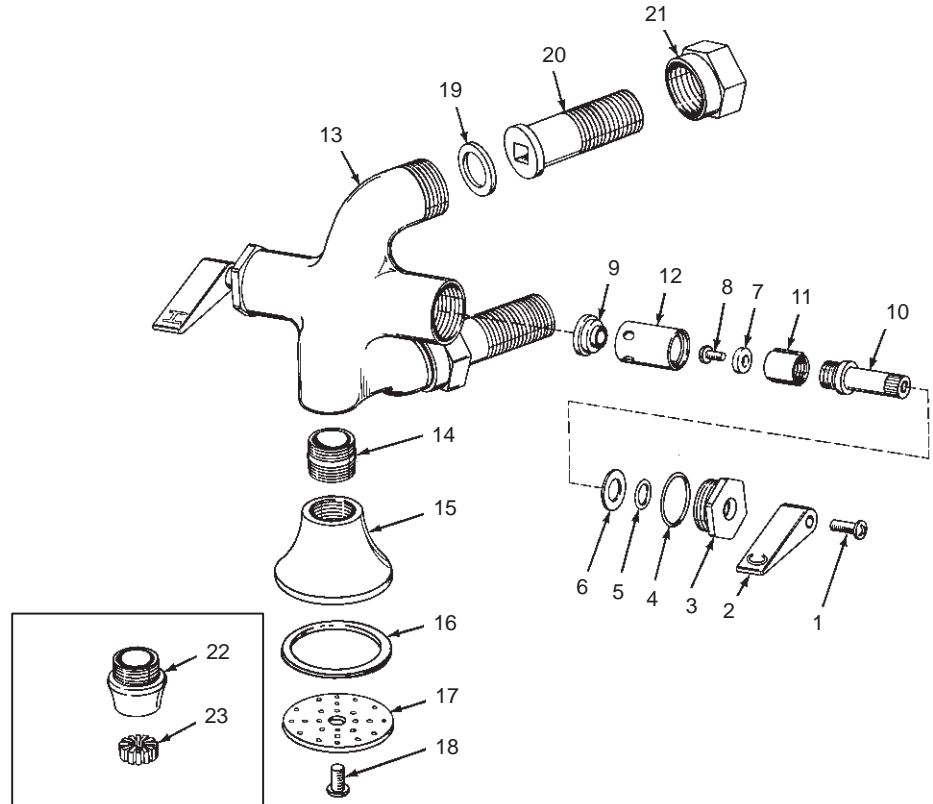
K-8888

WASH SINK FAUCET

ORDER BY KIT NUMBER OR PART NUMBER, NOT ITEM NUMBER OR KIT LETTER.

Ordering Options

Item	Part No. or Kit
1	B
2	C
3	34365‡
4, 5, 6, 7, 8, 9	A, D, or E
10, 11, 12	D or E
13	*
14	24876
15	F
16, 17, 18	F, G
19	33031
20	36411‡
21	32991‡
22	36616‡
23	41019



Kit Ordering Information

Kit	Kit Part No.	Kit Name
A	30294	Valve Rebuilding
B	30105‡	Screw
C	30025‡	Lever Handle
D	30002‡	Valve Replacement (Closes Clockwise)
E	30004‡	Valve Replacement (Closes Counterclockwise)
F	29614‡	Spray Head and Face
G	30251‡	Spray Face

Kit Contents

2 ea., Items 4 thru 9
 2 ea., Item 1
 1 ea. Hot, 1 ea. Cold; Item 2
 1 ea., Items 4 thru 12
 1 ea., Items 4 thru 12
 1 ea., Items 15 thru 18
 1 ea., Items 16 thru 18

KITS MAY INCLUDE EXTRA PARTS

NOTES:

* Not available as a service part.

LEGEND:

‡ Specify Finish.