

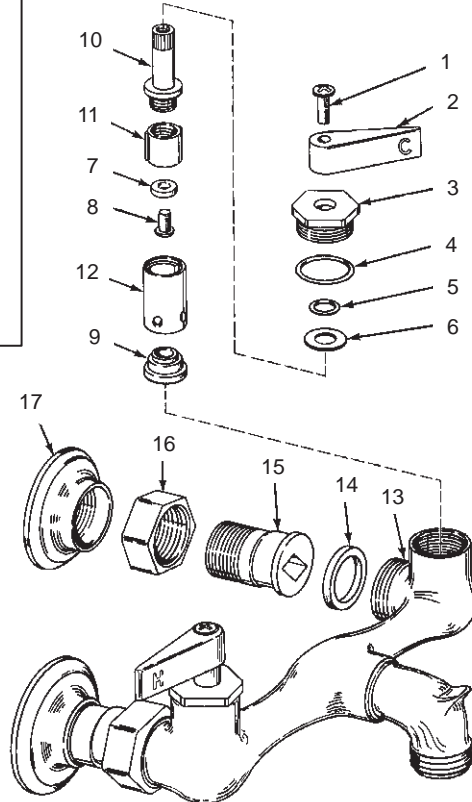
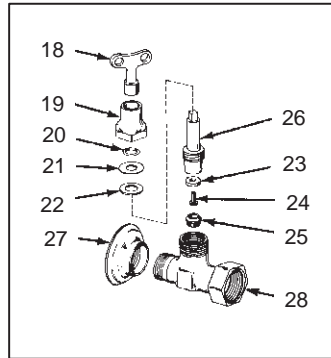
K-8924

SERVICE SINK FITTING

ORDER BY KIT NUMBER OR PART NUMBER, NOT ITEM NUMBER OR KIT LETTER.

### Ordering Options

Item	Part No. or Kit
1	B
2	C
3	34365‡
4, 5, 6, 7, 8, 9	A, D, or E
10, 11, 12	D or E
13	*
14	40718, I
15, 16	I
17	G, H, I
18	32338‡, H
19	32486‡, H
20, 21, 22, 23,	F or H
24, 25	F or H
26	31944, H
27	G, H, I
28	H



### Kit Ordering Information

Kit	Kit Part No.	Kit Name
A	30294	Valve Rebuilding
B	30105‡	Screw
C	30025‡	Lever Handle
D	30002	Valve Replacement (Closes Clockwise)
E	30004	Valve Replacement (Closes Counterclockwise)
F	30300	Stop Rebuilding
G	30093‡	Escutcheon
H	31660‡	Loose Key Stop
I	41050‡	Shank

### Kit Contents

2 ea., Items 4 thru 9
3 ea., Item 1
1 ea. Hot, 1 ea. Cold; Item 2
1 ea., Items 4 thru 12
1 ea., Items 4 thru 12
2 ea., Items 20 thru 25
2 ea., Item 17 or 27
1 ea., Items 18 thru 28
1 ea., Items 14 thru 17

### KITS MAY INCLUDE EXTRA PARTS

#### NOTES:

Other Product Numbers Using Same Parts  
K-8925 K-8926 K-8927  
\* Not available as a service part.

#### LEGEND:

‡ Specify Finish.