

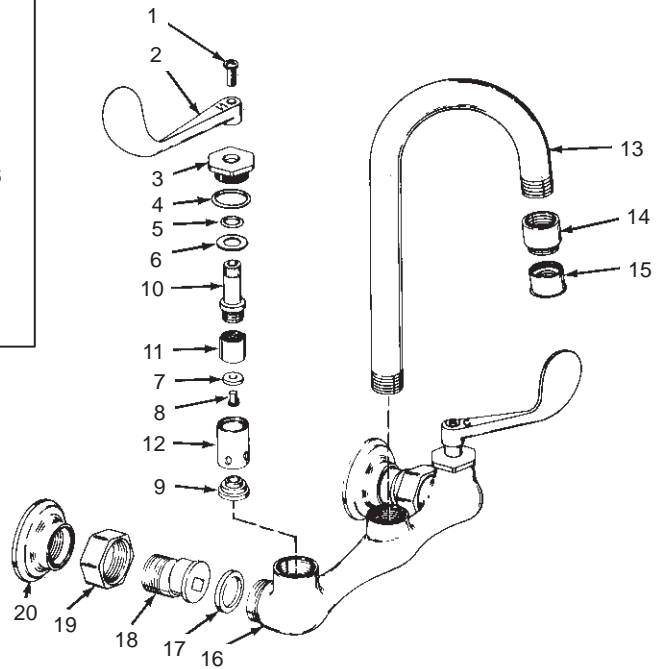
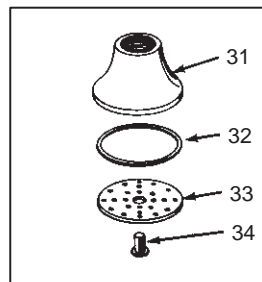
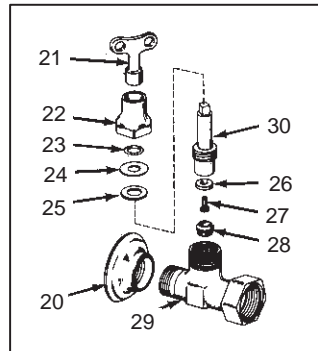
K-13583
K-13585

SINK FITTING WITH LOW GOOSENECK SPOUT
SINK FITTING WITH HIGH GOOSENECK SPOUT

ORDER BY KIT NUMBER OR PART NUMBER, NOT ITEM NUMBER OR KIT LETTER.

Ordering Options

Item	Part No. or Kit
1	B
2	H or I or J
3	34365
4, 5, 6, 7, 8, 9	A, C or D
10, 11, 12	C or D
13	K or L
14	33968‡
15	37725‡
16	*
17	40718
18	40599‡
19	40748‡
20	M
21	32338‡
22	E
23, 24, 25, 26,	E, N
27, 28, 29	E, N
30	E
31	F
32, 33, 34	F, G



Kit Ordering Information

Kit	Kit Part No.	Kit Name	Kit Contents
A	30294	Valve Rebuilding	2 ea., Items 4 thru 9
B	30105‡	Screw	2 ea., Item 1
C	30134	Valve Replacement (Closes Counterclockwise)	1 ea., Items 4 thru 12
D	30135	Valve Replacement (Closes Clockwise)	1 ea., Items 4 thru 12
E	31660‡	Loose Key Stop	1 ea., Items 21 thru 25; 2 ea., Items 26 thru 30
F	29614‡	Spray Head, S.A.	1 ea., Items 31 thru 34
G	30341‡	Spray Face	1 ea., Items 32, 33, and 34
H	30064‡	4" Wrist Handle	1 ea. Hot, 1 ea. Cold; Item 2
I	30065‡	6" Elbow Handle	1 ea. Hot, 1 ea. Cold; Item 2
J	30025‡	Lever Handle (Not Illustrated)	1 ea. Hot, 1 ea. Cold; (not Illustrated)
K	35728‡	High Spout	1 ea., Item 13
L	33185‡	Low Spout	1 ea., Item 13
M	30093‡	Escutcheon	2 ea., Item 20
N	30300	Stop Rebuilding	2 ea., Items 23 thru 29

KITS MAY INCLUDE EXTRA PARTS

NOTES:

Other Product Numbers Using Same Parts

K-13584 K-13595 K-13596

* Not available as a service part.

LEGEND:

‡ Specify Finish.