

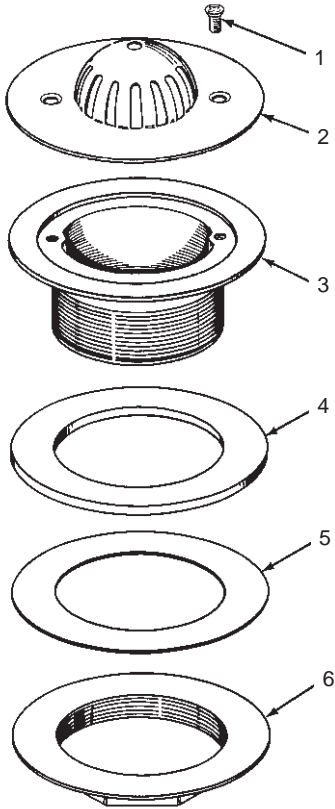
K-9183

URINAL STRAINER

K-9172

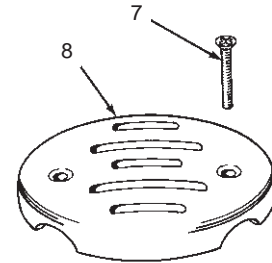
URINAL STRAINER

ORDER BY KIT NUMBER OR PART NUMBER, NOT ITEM NUMBER OR KIT LETTER.



### Ordering Options

Item	Part No. or Kit
1	53416
2	53415
3	*
4, 5, 6	A
7	53382
8	53411



### Kit Ordering Information

Kit	Kit Part No.	Kit Name
A	30275	Mounting Hardware

**Kit Contents**  
1 ea., Items 4, 5 and 6

KITS MAY INCLUDE EXTRA PARTS

### NOTES:

\* Not available as a service part.

### LEGEND: