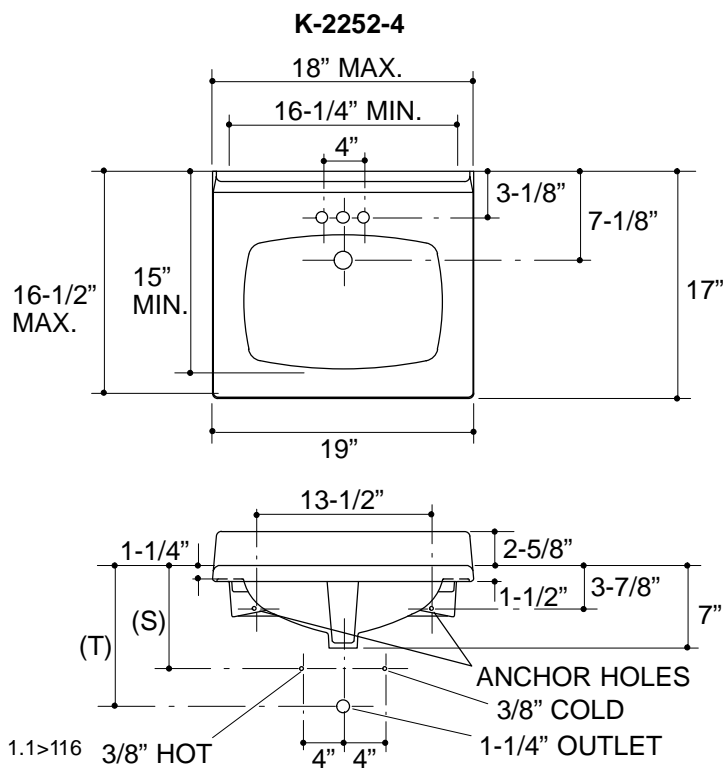


Ordering Information

Applicable lavatory:		
4" centers	K-2252-4	shown
8" centers	K-2252-8	not shown

Product Information

ADA compliant			
Fixture*:		basin area	water depth
Lavatory		15" x 10"	4-3/8"
Outlet	1-3/4" D.		
* Approximate measurements for comparison only.			
Holes	K-2252-8	K-2252-4	
Spout	1-3/16" D.	1-3/16" D.	
Faucet	1-3/8" D.	1-3/16" D.	
Included Components:			
Cork shims (6)			63067
Adhesive sealant			63034



Roughing-In Notes

Fixture dimensions are nominal and conform to tolerances in ASME Standard A112.19.2M.

(T) Pop-up drain 12-5/8", drain 11-3/4".

(S) 10" (Based on 12" riser which may require cutting).

Cabinet front corner braces, back panels, and/or bracing may have to be modified or relocated on some cabinet models.