

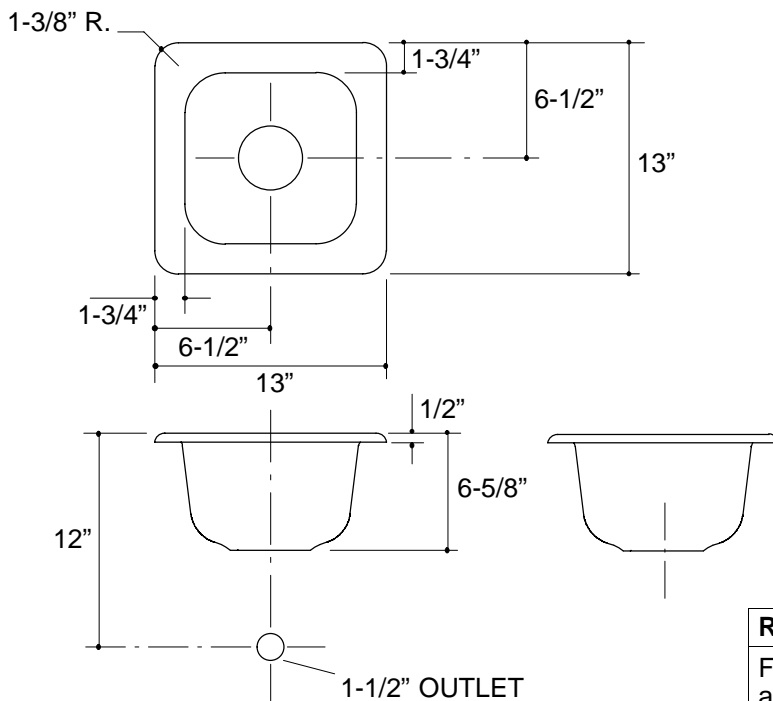
Product Information

Fixture*:		basin area	water depth
Sink		10" x 10"	6"
Outlet	3-5/8" D.		

* Approximate measurements for comparison only.

Installation Notes

Refer to installation instructions included with fixture before beginning installation.



Roughing-In Notes	
Fixture dimensions are nominal and conform to tolerances in ASME/ANSI Standard A112.19.1M.	
Cutout	11-3/4" x 11-3/4" with 1" radius corners.