

Ordering Information

Applicable product:		
Six-hole sink	K-5910-6	shown
Accessories/hardware:		
Hardwood cutting board	K-6509	optional
Wire rinse basket	K-6520	optional
Alterna faucet	K-6972-CV	recommended
Flair faucet	K-7773-7A	recommended
Soap dispenser	K-9611	recommended
Hot water dispenser	K-9607-R	recommended

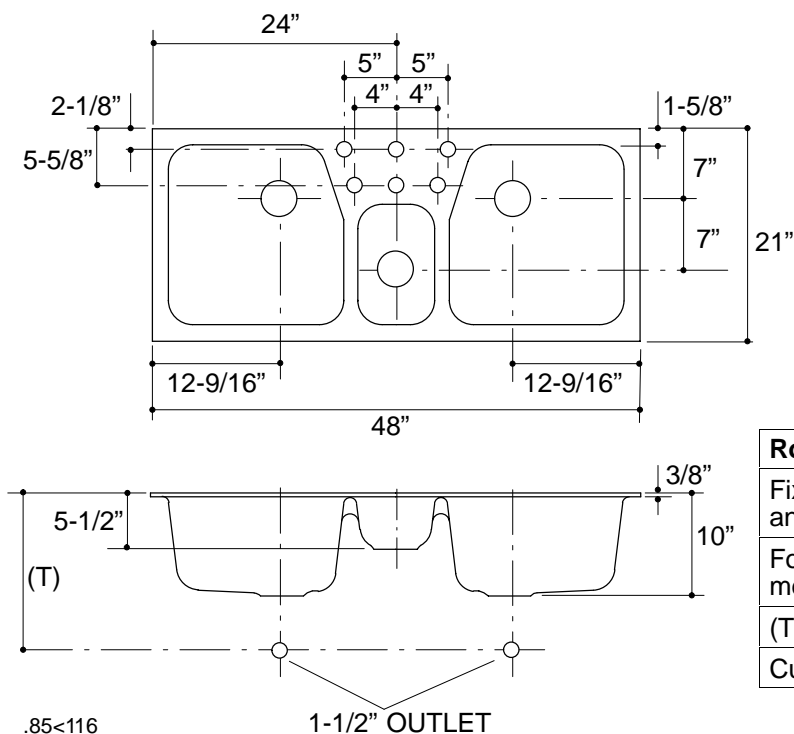
Product Information

Fixture*:		basin area	water depth
Sinks		17" x 18"	9-1/4"
Disposal		8" x 12"	4-1/2"
Outlet	3-5/8" D.		
Faucet holes	1-3/8" D.		

* Approximate measurements for comparison only.

Installation Notes

Refer to installation instructions included with fixture before beginning installation.



Roughing-In Notes

Fixture dimensions are nominal and conform to tolerances in ASME/ANSI Standard A112.19.1M.

For disposal unit, consult supplier for roughing-in measurements.

(T) Drain typically 15-3/8".

Cutout 46-3/4" x 19-3/4" with 1" radius corners.