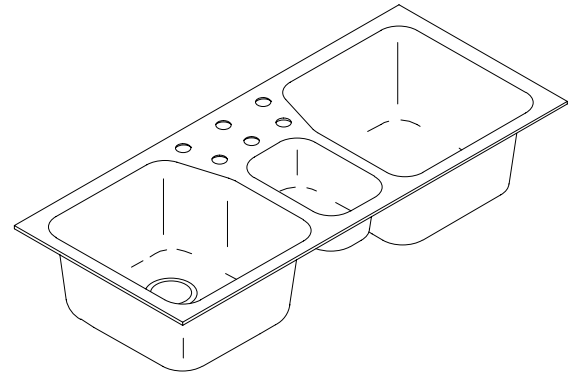


FEATURES

- 48" x 21"
- Cast iron
- Acid resistant enamel finish
- Tile-in
- Triple compartment sink with two equal basins and smaller center disposal basin
- 6-hole drilling



CODES/STANDARDS APPLICABLE

Specified model meets or exceeds the following:

- ASME/ANSI A112.19.1M
- IAPMO/UPC
- Canadian Standards Association (CSA)
- State of Massachusetts

COLORS/FINISHES

- 0 White
- Other Refer to Fixtures Price Book for additional colors

Accessories:

- CP Polished Chrome
- NA None Applicable
- Other Refer to Price Book for additional finishes

SPECIFIED MODEL:

Model	Description	Colors/Finishes	
K-5910-6	6-hole sink	<input type="checkbox"/> 0 White	<input type="checkbox"/> Other_____

Recommended Faucet/Accessories			
K-9000	Trap	<input type="checkbox"/> CP	
K-6972-2	Alterna™ faucet with black spray	<input type="checkbox"/> CP	<input type="checkbox"/> Other_____
K-7771-K	Triton™ /Finnesse™ /Flair™ Acrylic base faucet with white spray	<input type="checkbox"/> CP	<input type="checkbox"/> Other_____
K-9619	Soap/lotion dispenser	<input type="checkbox"/> CP	<input type="checkbox"/> Other_____
K-9607-R	Piping Hot® hot water dispenser	<input type="checkbox"/> CP	
Optional Accessories			
K-6509	Hardwood cutting board	<input type="checkbox"/> NA_____	
K-6520	Wire rinse basket (right basin only)	<input type="checkbox"/> 0 White	<input type="checkbox"/> Other_____
K-8801	Duostrainer sink strainer	<input type="checkbox"/> CP	<input type="checkbox"/> Other_____

PRODUCT SPECIFICATION:

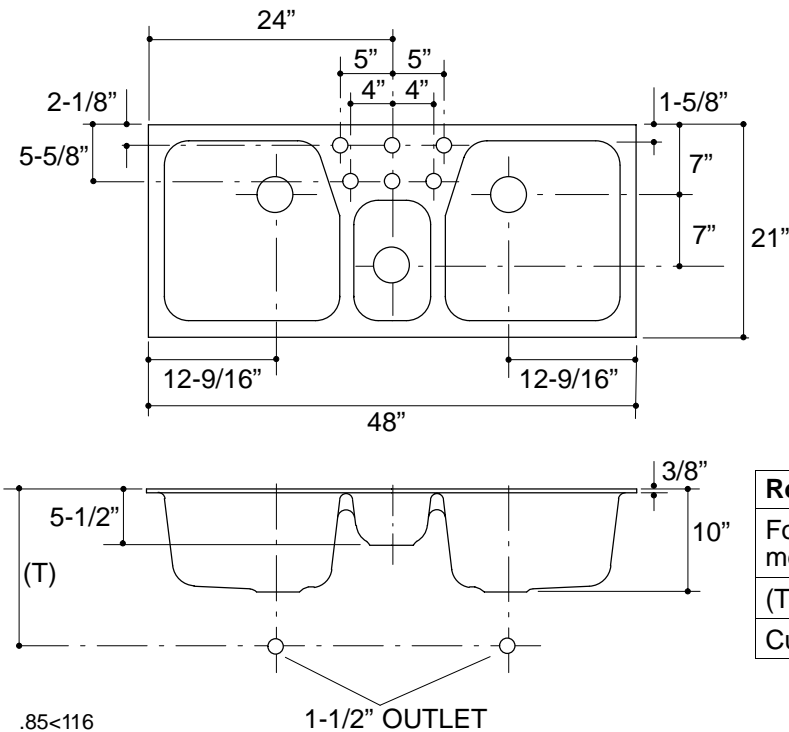
The tile-in sink shall be 48" in length, and 21" in width. Sink shall be made of cast iron with acid resistant enamel finish. Sink shall be triple compartment with two equal basins and smaller disposal basin. Sink shall be 6-hole drilled. Sink shall be Kohler Model K-5910-6-_____.

BON VIVANT®

PRODUCT INFORMATION

Fixture*:		basin area	water depth
Sinks		17" x 18"	9-1/4"
Disposal		8" x 12"	4-1/2"
Outlet	3-5/8" D.		
Faucet holes	1-3/8" D.		

* Approximate measurements for comparison only.



Roughing-In Notes

For disposal unit, consult supplier for roughing-in measurements.

(T) Drain typically 15-3/8".

Cutout 46-3/4" x 19-3/4" with 1" radius corners.

PRODUCT DIAGRAM