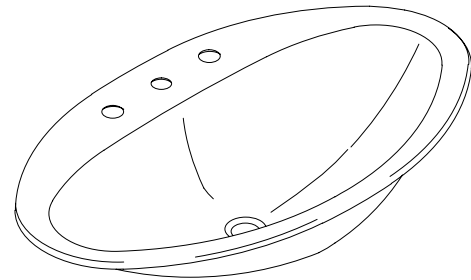


### FEATURES

- 33" x 19"
- Cast iron
- Self-rimming
- 8" centers (K-2886-8), 4" centers (K-2886-4) or single-hole (K-2886-1) drilling
- With overflow
- ADA compliant (K-2886-1)



### CODES/STANDARDS APPLICABLE

Specified model meets or exceeds the following:

- ADA
- ASME/ANSI A112.19.1M
- CABO/ANSI A117.1
- IAPMO/UPC
- Canadian Standards Association (CSA)
- ADA when installed with K-13885 offset drain
- State of Massachusetts

### COLORS/FINISHES

- 0 White
- Other Refer to Fixtures Price Book for additional colors

#### Accessories:

- CP Polished Chrome
- Other Refer to Faucets Price Book for additional finishes

### SPECIFIED MODEL:

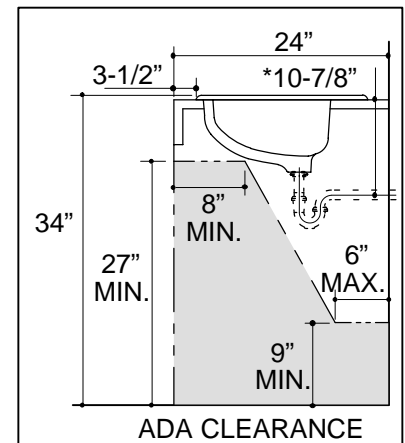
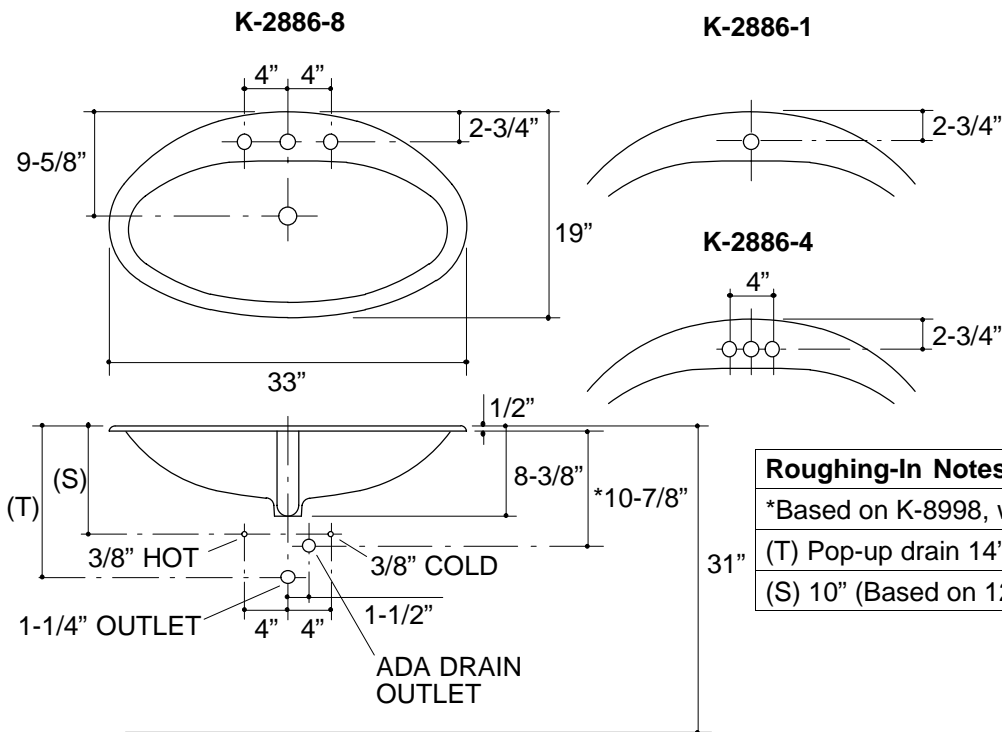
Model	Description	Colors/Finishes	
		<input type="checkbox"/> 0 White	<input type="checkbox"/> Other_____
K-2886-8	8" centers lavatory	<input type="checkbox"/> 0 White	<input type="checkbox"/> Other_____
K-2886-4	4" centers lavatory	<input type="checkbox"/> 0 White	<input type="checkbox"/> Other_____
K-2886-1	Single-hole lavatory	<input type="checkbox"/> 0 White	<input type="checkbox"/> Other_____
Recommended Accessories			
K-8998	Trap	<input type="checkbox"/> CP	<input type="checkbox"/> Other_____

### PRODUCT SPECIFICATION:

The self-rimming countertop lavatory shall be 33" in length, and 19" in width. Lavatory shall be made of cast iron. Lavatory shall have 8" centers (K-2886-8), 4" centers (K-2886-4) or single-hole (K-2886-1) drilling. Lavatory shall have overflow. Lavatory shall be ADA compliant (K-2886-1). Lavatory shall be Kohler Model K-2886-\_\_\_\_\_-\_\_\_\_\_-\_\_\_\_\_.

## PRODUCT INFORMATION

ADA compliant.			
Fixture*:		basin area	water depth
Lavatory		30" x 13"	4-7/8"
Outlet	1-11/16" D.		
* Approximate measurements for comparison only.			
Holes	<b>K-2886-8</b>	<b>K-2886-1</b>	<b>K-2886-4</b>
Spout	1-1/8" D.	1-3/8" D.	1-1/8" D.
Faucet	1-5/16" D.		1-3/16" D.
Included Components:			
Overflow ferrule			44071
Cutout template			100207-7



### Roughing-In Notes

\*Based on K-8998, with 1" of tailpiece exposed.

(T) Pop-up drain 14".

(S) 10" (Based on 12" riser which may require cutting).

.9<116

## PRODUCT DIAGRAM