

Ordering Information

Accessories/hardware:		
Drain	K-7161-AF	recommended
Undermount installation kit	K-581	optional
Grip rails (pair)	K-9616	required
Vinyl tiling-in bead*	K-1178	optional

*Use K-1178 vinyl bead when wall material contacts any top surface of bath.

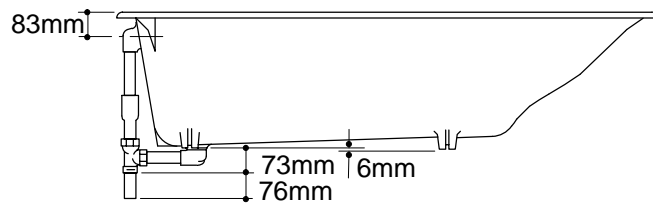
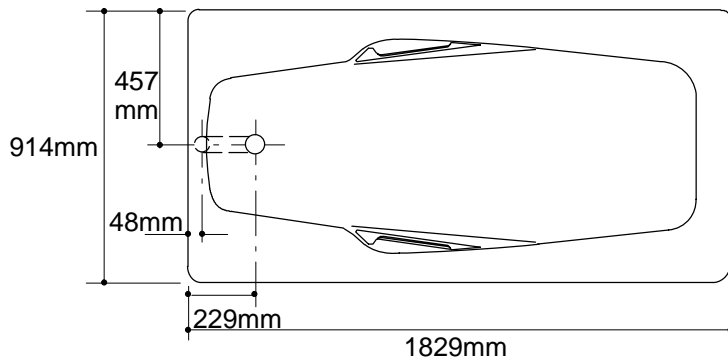
Product Information

Fixture*:	basin area	top area	weight
Bathing well	1194 x 610mm	1702 x 737mm	172 Kg.
	water depth	capacity	
To overflow	327mm	197 litres	

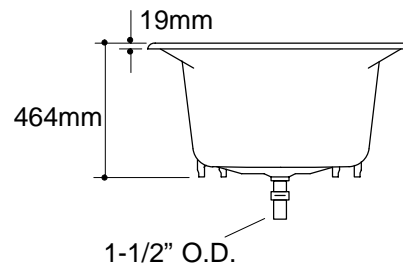
* Approximate measurements for comparison only.

Installation Notes

Refer to installation instructions included with fixture before beginning installation.



Roughing-In Notes	
Fixture dimensions are nominal and conform to tolerances in ANSI Standard A112.19.1.	
No change in measurements if connected with drain illustrated.	
Cut-out for drop-in	1791 x 876mm
Cut-out for undermount	K-581 template required



1.25>132

K-810 Caribbean™ Bath
106124-1M-BA (-)

KOHLER®