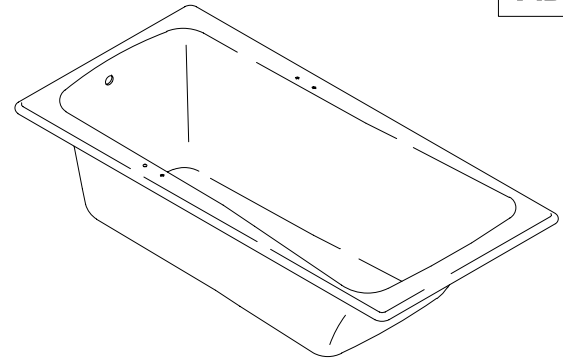


# K-839, K-840

ADA

## FEATURES

- 66" x 32" x 18-1/4"
- Cast iron with Safeguard® finish
- ADA compliant when installed with seat at head end
- Drilled for K-9621 grip rails (required for K-839)
- LESS ALL TRIM (for K-839)



## CODES/STANDARDS APPLICABLE

Specified model meets or exceeds the following:

- ADA
- ASME/ANSI A112.19.1M
- CABO/ANSI A117.1
- IAPMO/UPC
- Canadian Standards Association (CSA)
- State of Massachusetts

## COLORS/FINISHES

- 0 White
- Other Refer to Fixtures Price Book for additional colors

### Accessories:

- CP Polished Chrome
- PB Polished Brass
- Other Refer to Faucets Price Book for additional finishes
- NA None Applicable

## SPECIFIED MODEL:

Model	Description	Colors/Finishes	
K-839	Bath with grip rail drillings	<input type="checkbox"/> 0 White	<input type="checkbox"/> Other_____
K-840	Bath less grip rail drillings	<input type="checkbox"/> 0 White	<input type="checkbox"/> Other_____

Required Accessories				
K-9621	Grip rails (pair) (for K-839)	<input type="checkbox"/> CP	<input type="checkbox"/> PB	<input type="checkbox"/> Other_____
Recommended Accessories				
K-7161-AF	Drain	<input type="checkbox"/> CP	<input type="checkbox"/> PB	<input type="checkbox"/> Other_____
Optional Accessories				
K-1172	Adjustable feet			<input type="checkbox"/> NA
K-585	Undermount installation kit (template and installation instructions for K-840 only)			<input type="checkbox"/> NA
K-1179	Vinyl tiling-in bead (use when wall material contacts any top surface of bath)			<input type="checkbox"/> NA

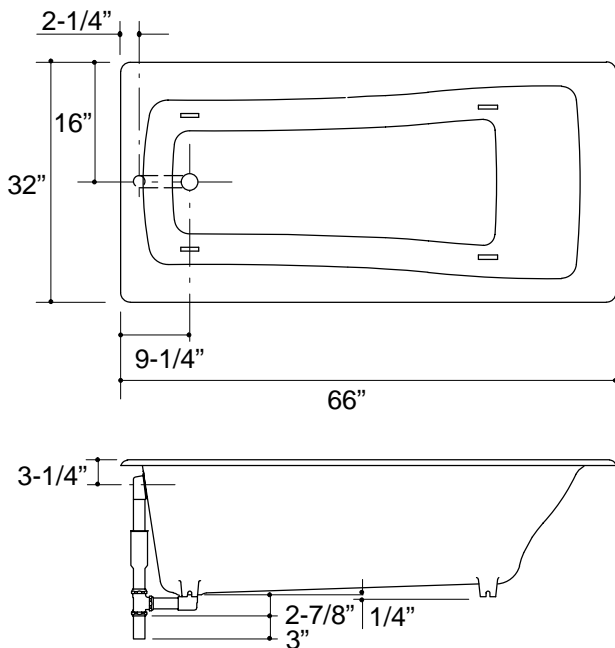
## PRODUCT SPECIFICATION:

The bath shall be 66" in length, 32" in width, and 18-1/4" in height. Bath shall be made of cast iron with Safeguard® finish. Bath shall be ADA compliant when installed with seat at head end. Bath shall be drilled for K-9621 grip rails (required for K-839). Bath shall be less all trim (K-839). Bath shall be Kohler Model K-\_\_\_\_\_-\_\_\_\_\_.

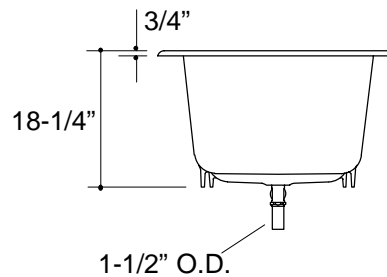
# MAESTRO™

## PRODUCT INFORMATION

Fixture*:	basin area	top area	weight
Bathing well	47" x 21"	57" x 25"	350 lbs.
	water depth	capacity	
To overflow	13"	55 gal.	
* Approximate measurements for comparison only.			



Roughing-In Notes	
No change in measurements if connected with drain illustrated.	
Cut-out for drop-in	64-1/2" x 30-1/2"
Cut-out for undermount	K-585 template required



1.25>132

## PRODUCT DIAGRAM