

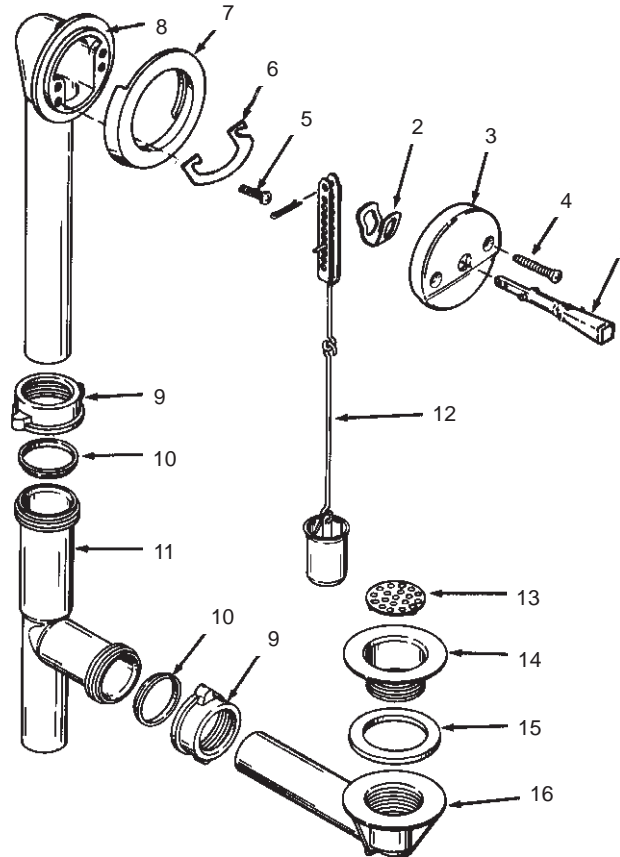
K-11673§  
K-11674§

PVC PLASTIC CONCEALED BATH DRAIN  
ABS PLASTIC CONCEALED BATH DRAIN  
ADJUSTS 14"-16"

ORDER BY KIT NUMBER OR PART NUMBER, NOT ITEM NUMBER OR KIT LETTER.

**Ordering Options**  
Part No.  
or Kit

Item	Part No. or Kit
1, 2, 3	A
4	A, B
5, 6, 7	C
8	*
9, 10	D
11	*
12	30356
13	31026‡
14	30953‡
15	21473
16	*



**Kit Ordering Information**

Kit	Kit Part No.	Kit Name
A	31020‡	Overflow Hood Kit
B	30992‡	Screw Kit
C	30932	Overflow Gasket Kit
D	30911	Nut and Gasket Kit

**Kit Contents**

1 ea., Items 1, 2 and 3; 2 ea., Item 4  
2 ea., Item 4  
2 ea., Item 5; 1 ea., Items 6 and 7  
1 ea., Items 9 and 10

**KITS MAY INCLUDE EXTRA PARTS**

**NOTES:**

\* Not available as a service part.

**LEGEND:**

‡ Specify Finish.  
§ Reference Number Only.