

# KOHLER® SERVICE PARTS

## SINK FITTINGS

K-7776-DB  
K-13580

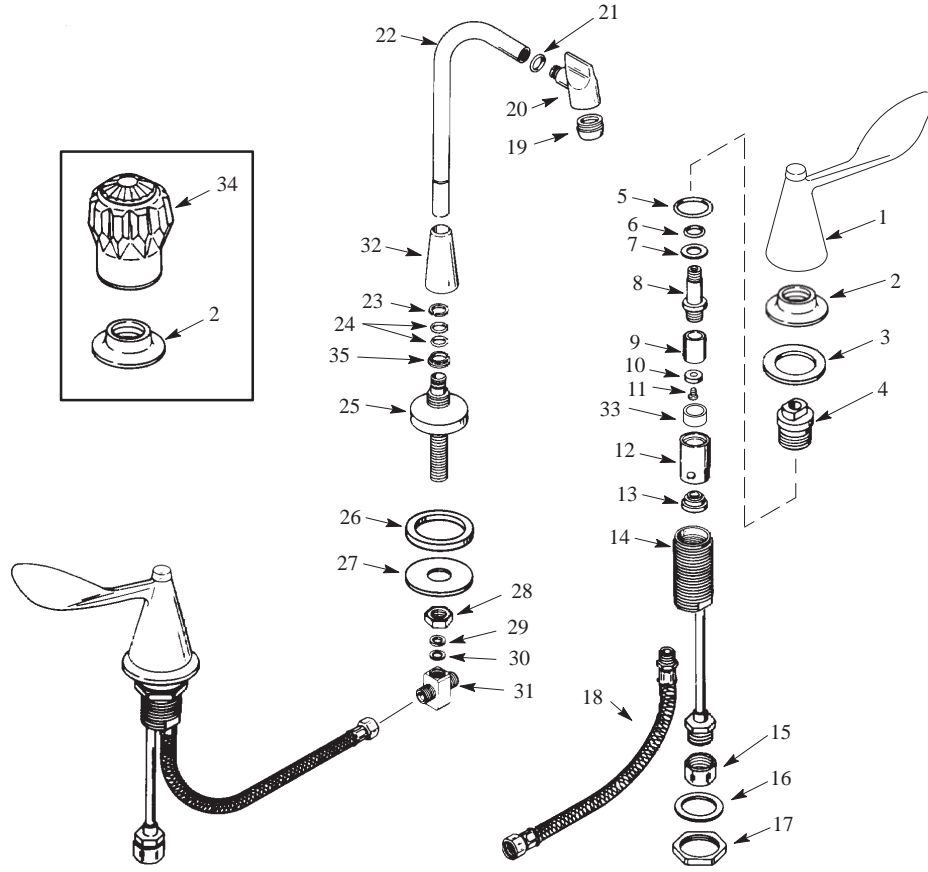
FLAIR II  
FINESSE

MULTI-SWIVEL SINK FITTING  
MULTI-SWIVEL SINK FITTING

ORDER BY KIT NUMBER OR PART NUMBER, NOT ITEM NUMBER OR KIT LETTER.

### Ordering Options

Item	Part No. or Kit
1	A
2	40000 †
3	34037
4	40002
5	34264
6	34263
7	34265
8	B or C
9	D or E
10	20961
11	34848
12	34842
13	35119
14	40004
15	32751
16	40001
17	40005
18	40008
19	41056 †
20	40225 †
21	33993, G
22	40272
23	40274, G
24	42045, G
25	40204
26	41550
27	40203
28	40201
29	40097
30	40013
31	40098
32	40275 †
33	29558
34	F
35	40271, G



### Kit Ordering Information

Kit	Kit Part No.	Kit Name	Kit Contents
A	106730§ ■	Wrist Control Handle Options	See INDEX.
B	34320	Valve Stem (Left Hand)	1 ea., item 8
C	34319	Valve Stem (Right Hand)	1 ea., item 8
D	34862	Plunger (Left Hand)	1 ea., item 9
E	34844	Plunger (Right Hand)	1 ea., item 9
F	106299§ ■	Flair Handle Options	See INDEX.
G	30407	Spout Service Kit	1 ea., items 21, 23, and 35; 2 ea., item 24

### KITS MAY INCLUDE EXTRA PARTS

#### NOTES

#### LEGEND

- † Specify finish.
- § Reference number only.
- Parts further exploded in catalog; see INDEX.
- Shading indicates product discontinued.