

KOHLER® SERVICE PARTS

FAUCET HANDLES

106216§

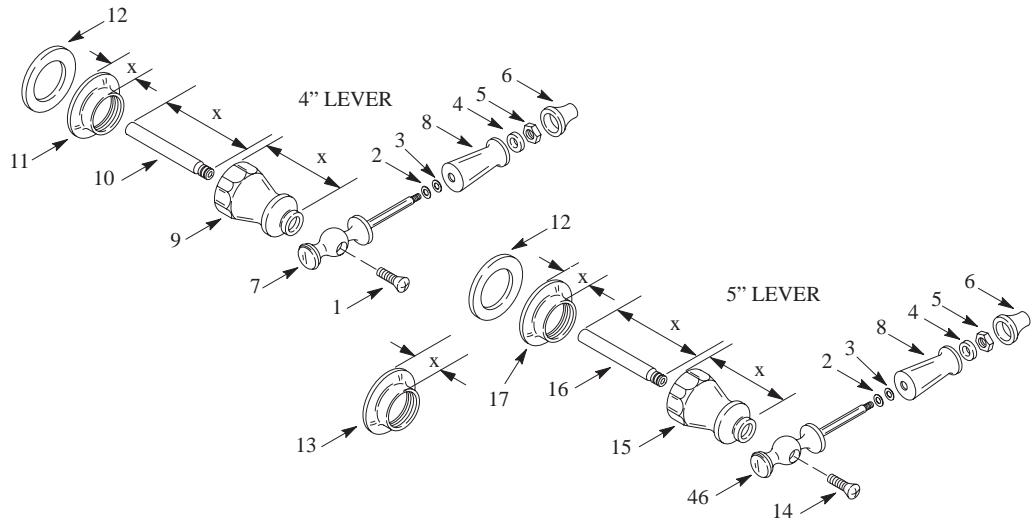
ANTIQUE™

HANDLE OPTIONS

ORDER BY KIT NUMBER OR PART NUMBER, NOT ITEM NUMBER OR KIT LETTER.

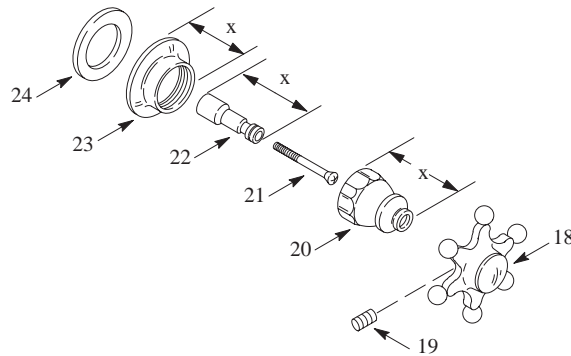
Ordering Options

Item	Part No. or Kit
4" LEVER	
1	A or B or C
2 thru 5	D
6	21258 ‡
7	21254 ‡*
8	21256 ‡*
9	E or F or G
10	H or I
11	J or K
12	L
5" LEVER	
13	CC or E
14	40492
15	M or N
16	40464 ‡
17	CC or EE



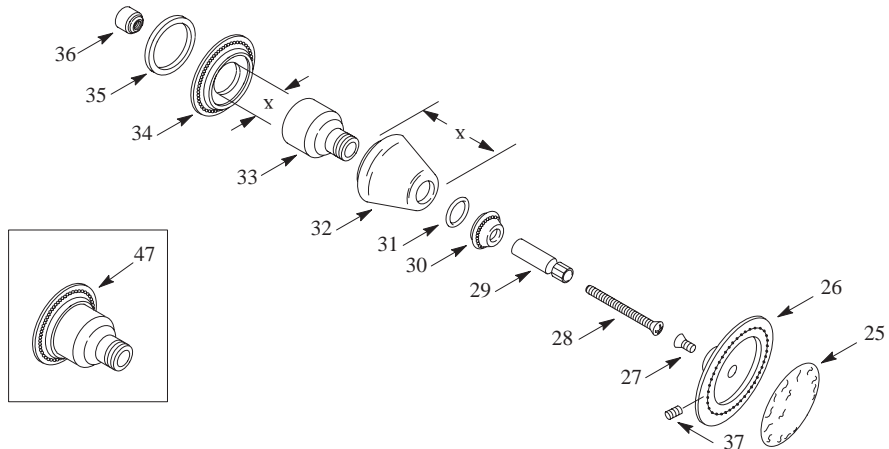
Ordering Options

Item	Part No. or Kit
SIX-PRONG	
18	O or P
19	50283
20	E or G or F or FF or M or N
21	Q or R or S
22	T or U or V
23	J or K or W or X or Y
24	L



Ordering Options

Item	Part No. or Kit
OVAL HANDLES	
25	52722 ‡
26	52570 ‡
27	52407
28	52671
29	AA or BB
30	52578
31	34353
32	Z or AA
33	52697 ‡
34	52496 ‡
35	39924
36	46115
47	52497 ‡



KITS MAY INCLUDE EXTRA PARTS

OVER

NOTES

* This product is available in other finishes. Refer to Design Manual for finish options.

LEGEND

‡ Specify finish.
§ Reference number only.

FAUCET HANDLES

106216§

ANTIQUE™

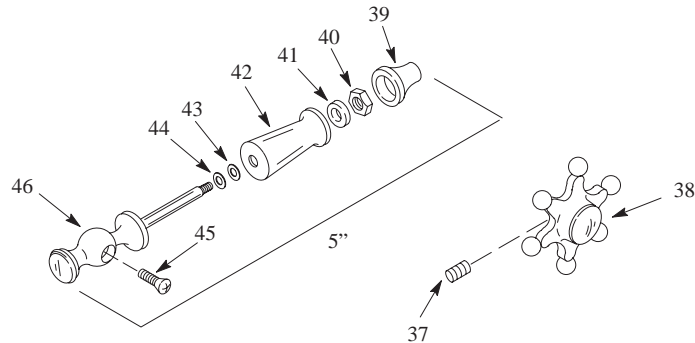
HANDLE OPTIONS

Con't.

ORDER BY KIT NUMBER OR PART NUMBER, NOT ITEM NUMBER OR KIT LETTER.

Ordering Options

Item	Part No. or Kit
RITE-TEMP	
37	50283
38	CC
39	21258 ‡
40, 41 D	
42	DD or EE
43, 44 D	
45	42284 ‡
46	21255 ‡*



Kit Ordering Information

Kit	Kit Part No.	Kit Name	Kit Contents
A	50285 ‡	Screw (#8-32 x 2")	1 ea., item 1
B	40491 ‡	Screw (#8-32 x 1-3/4")	1 ea., item 1
C	53448 ‡	Screw (#8-32 x 7/8")	1 ea., item 1
D	30308	Handle Service Kit	2 ea., items 2 thru 5
E	46012 ‡	Bonnet (x = 2-5/8")	1 ea., item 9
F	40479 ‡	Bonnet (x = 2" for K-141-CV and K-142-CV))	1 ea., item 9
G	40477 ‡	Bonnet (K-107-CV, K-108, K-115, K-116, K-117, and K-118)	1 ea., item 9
H	40476 ‡	Stem Extension (x = 1-5/8")	1 ea., item 10
I	46016 ‡	Stem Extension (x = 2")	1 ea., item 10
J	34304 ‡	Escutcheon (x = 5/8" for K-141 and K-142)	1 ea., item 11
K	40474	Escutcheon (x = 5/8" for K-108, K-116 and K-118)	1 ea., item 11
L	30340	Gasket Kit	2 ea., item 12
M	40461 ‡	Skirt (x = 2-5/16")	1 ea., item 15
N	40472 ‡	Bonnet (x = 1-7/8")	1 ea., item 15
O	50281 ‡	Handle w/Hot Index Button	1 ea., items 18 and 19
P	50282 ‡	Handle w/Cold Index Button	1 ea., items 18 and 19
Q	52406	Screw (#8-32 x 2-5/8")	1 ea., item 21
R	52671	Screw (#8-32 x 1-1/2")	1 ea., item 21
S	52865	Screw (#8-32 x 1-7/8")	1 ea., item 21
T	52597 ‡	Stem Extension (x = 2-3/4")	1 ea., item 22
U	52581	Stem Extension (x = 1-1/2")	1 ea., item 22
V	52580	Stem Extension (x = 2")	1 ea., item 22
W	46011 ‡	Escutcheon (x = 2-1/2" for K-147)	1 ea., item 23
X	40000 ‡	Escutcheon (x = 2-1/2" for K-107)	1 ea., item 23
Y	42275 ‡	Escutcheon (x = 2-1/2" for K-121-CV, K-123-CV)	1 ea., item 23
Z	52568 ‡	Ceramic Bell (x = 1-1/2")	1 ea., item 32
AA	52571 ‡	Ceramic Bell (x = 1-7/8")	1 ea., item 32
BB	52496 ‡	Escutcheon	1 ea., item 34
CC	50289 ‡	Handle w/Blank Index Button	1 ea., items 37 and 38
DD	K-9639 ‡ *	Insert Kit (Large)	2 ea., item 42
EE	K-9639-RX ‡ *	Insert Kit (Large)	2 ea., item 42
FF	50266 ‡	Bonnet (x = 1-7/8" for K-141, K-107)	1 ea., item 20

KITS MAY INCLUDE EXTRA PARTS

NOTES

* This product is available in other finishes. Refer to Design Manual for finish options.

LEGEND

‡ Specify finish.
§ Reference number only.