

Ordering Information

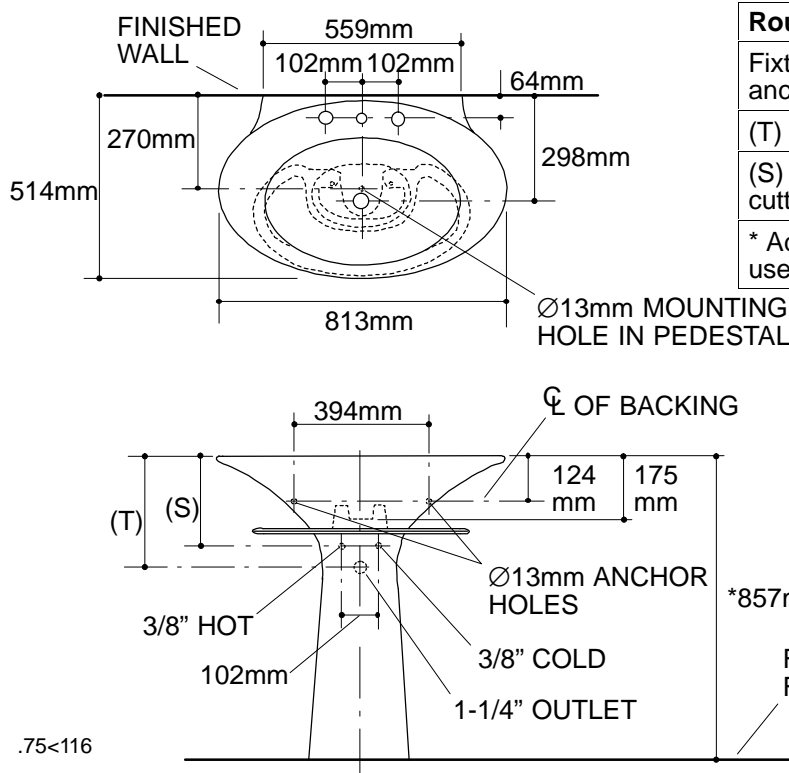
Applicable product:		
203mm centers lavatory	K-2122-8	shown
Accessories/hardware:		
Towel bar	K-9614	optional

Product Information

Fixture*:		basin area	water depth
Lavatory		559 x 356mm	108mm
Outlet	Ø44mm		
* Approximate measurements for comparison only.			

Holes	K-2122-8		
Spout	Ø30mm		
Faucet	Ø35mm		

Included Components:	
Lavatory basin, 203mm centers	K-2124-8
Pedestal	K-2129
Pedestal accessory pack	52204
229mm ball lever	20700



Roughing-In Notes
Fixture dimensions are nominal and conform to tolerances in ASME Standard A112.19.2M.
(T) Pop-up drain 318mm.
(S) 229mm (Based on 305mm riser which may require cutting).
* Add approximately 13mm in height when towel bar is used.