

Ordering Information

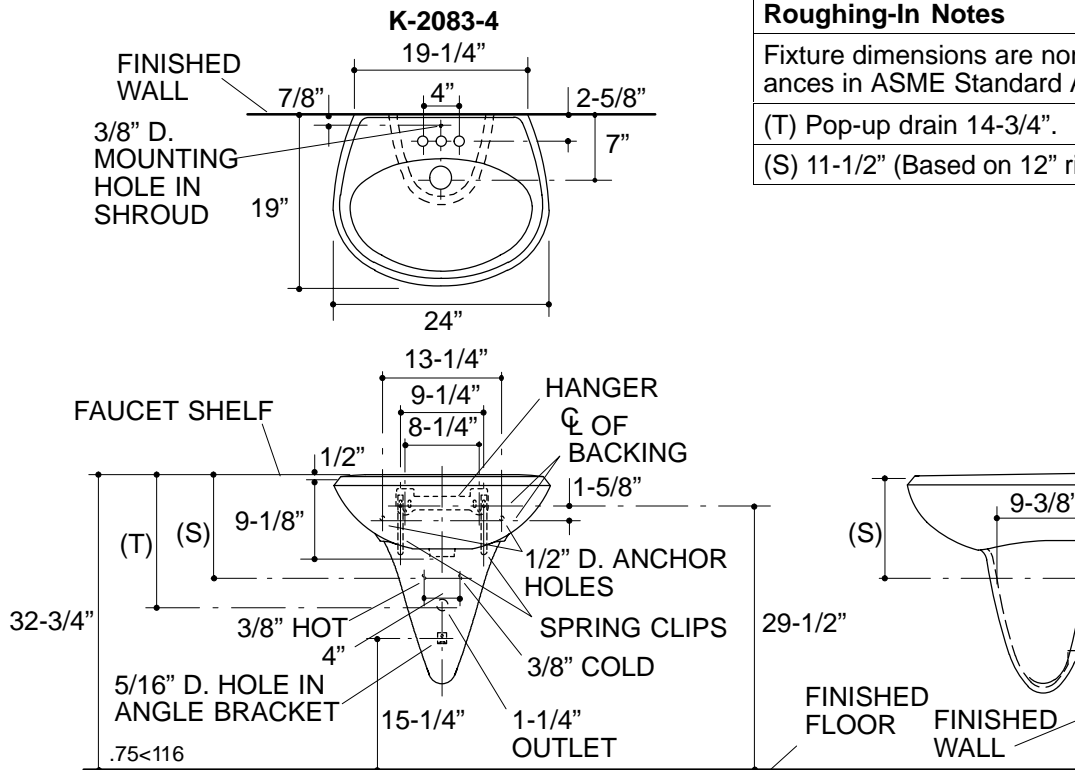
Applicable product:		
4" centers lavatory	K-2083-4	shown
8" centers lavatory	K-2083-8	not shown
Single-hole lavatory	K-2083-1	not shown
Accessories/hardware:		
Lavatory supplies, 3/8" pr.	K-7605-P	recommended
Trap	K-8998	recommended

Product Information

Fixture*:		basin area	water depth
Lavatory		22" x 13"	5"
Outlet	1-3/4" D.		
* Approximate measurements for comparison only.			

Holes	K-2083-4	K-2083-8	K-2083-1
Spout	1-3/16" D.	1-3/16" D.	1-3/8" D.
Faucet	1-3/16" D.	1-3/8" D.	

Included Components:	
Lavatory basin, 4" centers	K-2138-4
Lavatory basin, 8" centers	K-2138-8
Lavatory basin, single-hole	K-2138-1
Shroud	K-2143
Shroud accessory pack	52205
Hanger	64839
Rubber pads	63069



Roughing-In Notes

Fixture dimensions are nominal and conform to tolerances in ASME Standard A112.19.2M.

(T) Pop-up drain 14-3/4".

(S) 11-1/2" (Based on 12" riser which may require cutting).

