

**Ordering Information**

Applicable product:		
Two-hole sink	K-5922-2	shown
Accessories/hardware:		
Bottom basin rack	K-6001	optional
Cutting board	K-6515	optional
Wire rinse basket	K-6522	optional

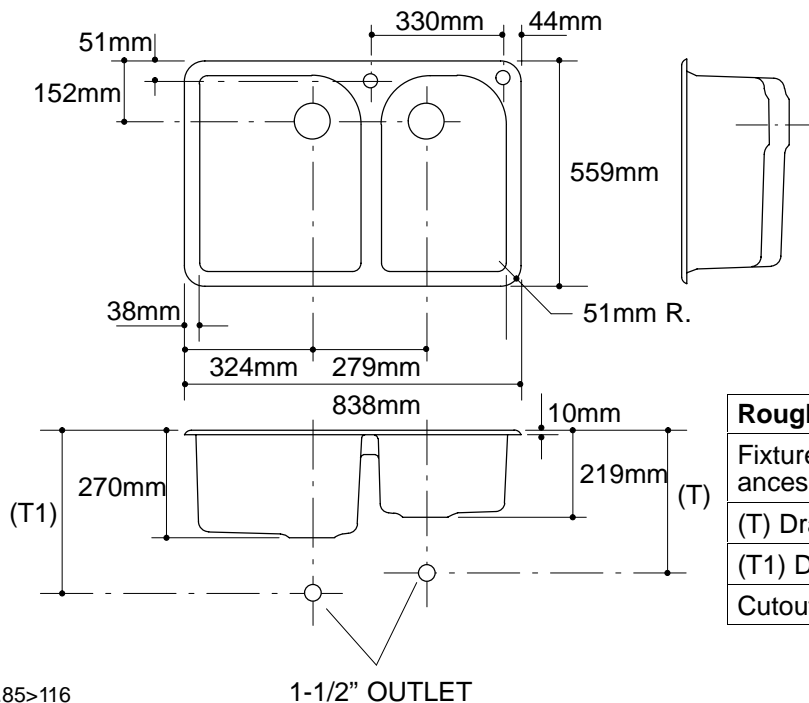
**Product Information**

Fixture*:		basin area	water depth
Sink, small		305 x 483mm	197mm
Sink, large		406 x 483mm	248mm
Outlet	Ø92mm		
Faucet holes	Ø35mm		

\* Approximate measurements for comparison only.

**Installation Notes**

Refer to installation instructions included with fixture before beginning installation.



<b>Roughing-In Notes</b>	
Fixture dimensions are nominal and conform to tolerances in ASME/ANSI Standard A112.19.1M.	
(T) Drain typically 356mm.	
(T1) Drain typically 406mm.	
Cutout	806 x 527mm with 25mm radius corners.

.85>116

1-1/2" OUTLET