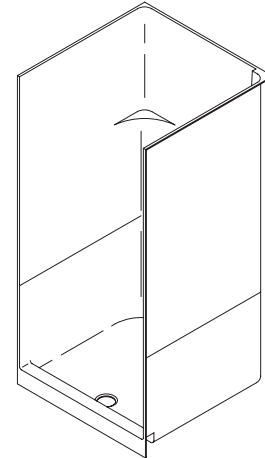


### FEATURES

- 36" x 36" x 76-1/2"
- Fiberglass (FRP)
- Integral ledges
- Two-piece design for remodeling installations



### CODES/STANDARDS APPLICABLE

Specified model meets or exceeds the following:

- ANSI Z124.2
- Canadian Standards Association (CSA)
- State of Massachusetts

### COLORS/FINISHES

- 0 White
- Other Refer to Fixtures Price Book for additional colors

#### Accessories:

- 0 White
- CP Polished Chrome
- PB Polished Brass
- SH Bright Silver
- BH Bright Brass
- Other Refer to Faucets Price Book for additional finishes

### SPECIFIED MODEL:

Model	Description	Colors/Finishes	
K-1576	Shower module	<input type="checkbox"/> 0 White	<input type="checkbox"/> Other_____

Recommended Accessories			
K-9132	Drain	<input type="checkbox"/> CP	<input type="checkbox"/> PB <input type="checkbox"/> Other_____

Optional Accessories			
K-705015	Arica™ pivot shower door <b>OR</b>	<input type="checkbox"/> BH	<input type="checkbox"/> SH <input type="checkbox"/> 0 White
K-701216	Focal pivot shower door	<input type="checkbox"/> BH	<input type="checkbox"/> SH <input type="checkbox"/> 0 White
* Refer to Fixtures Price Book for glass options.			

### PRODUCT SPECIFICATION:

The two-piece shower module shall be 36" in length, 36" in width, and 76-1/2" in height. Shower module shall be made of fiberglass (FRP). Shower module shall have integral ledges. Shower module shall be Kohler Model K-1576-\_\_\_\_\_.

# VALLARTA™ II

## PRODUCT INFORMATION

Fixture:	
Weight	104 lbs.
Configuration	2-piece
Drain Outlet	3-3/8" D.

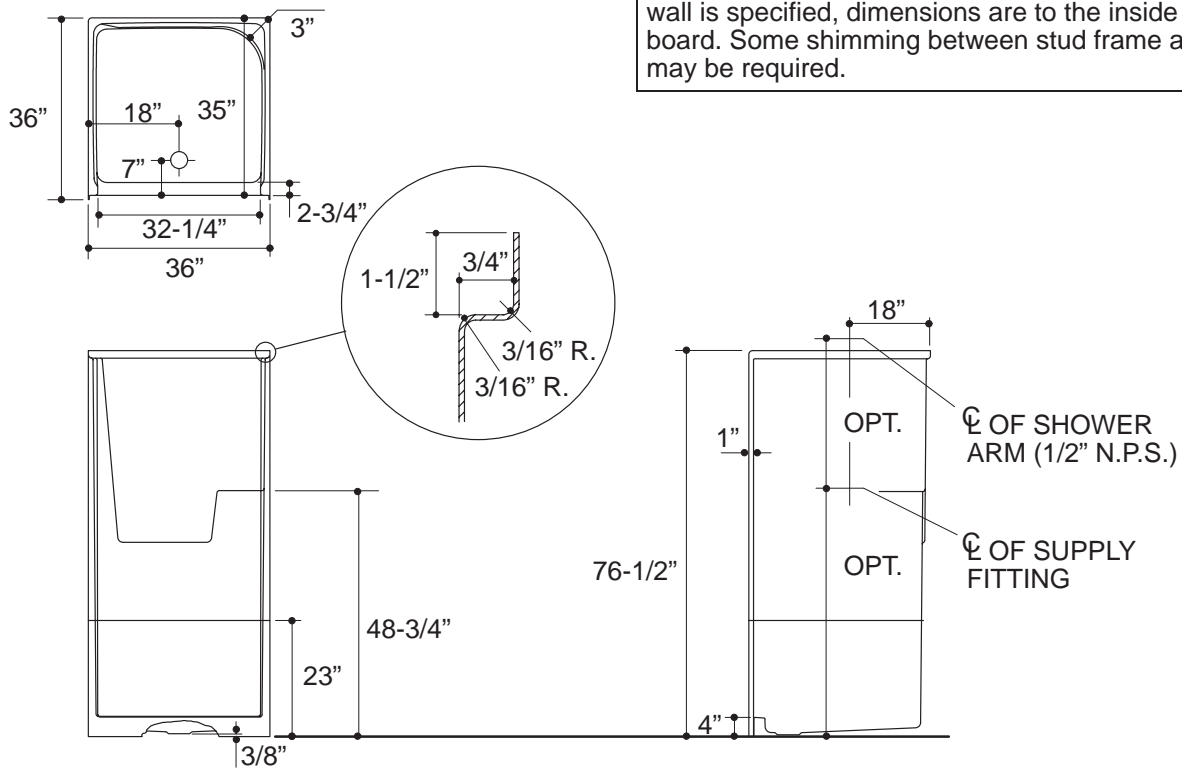
## INSTALLATION NOTES

Fixture not drilled for supply fittings.

Shimming may be required to level fixture.

### Roughing-In Notes

Stud opening tolerance (+ 1/4" - 0"). When fire rated wall is specified, dimensions are to the inside of the wall board. Some shimming between stud frame and fixture may be required.



.85<132

## PRODUCT DIAGRAM